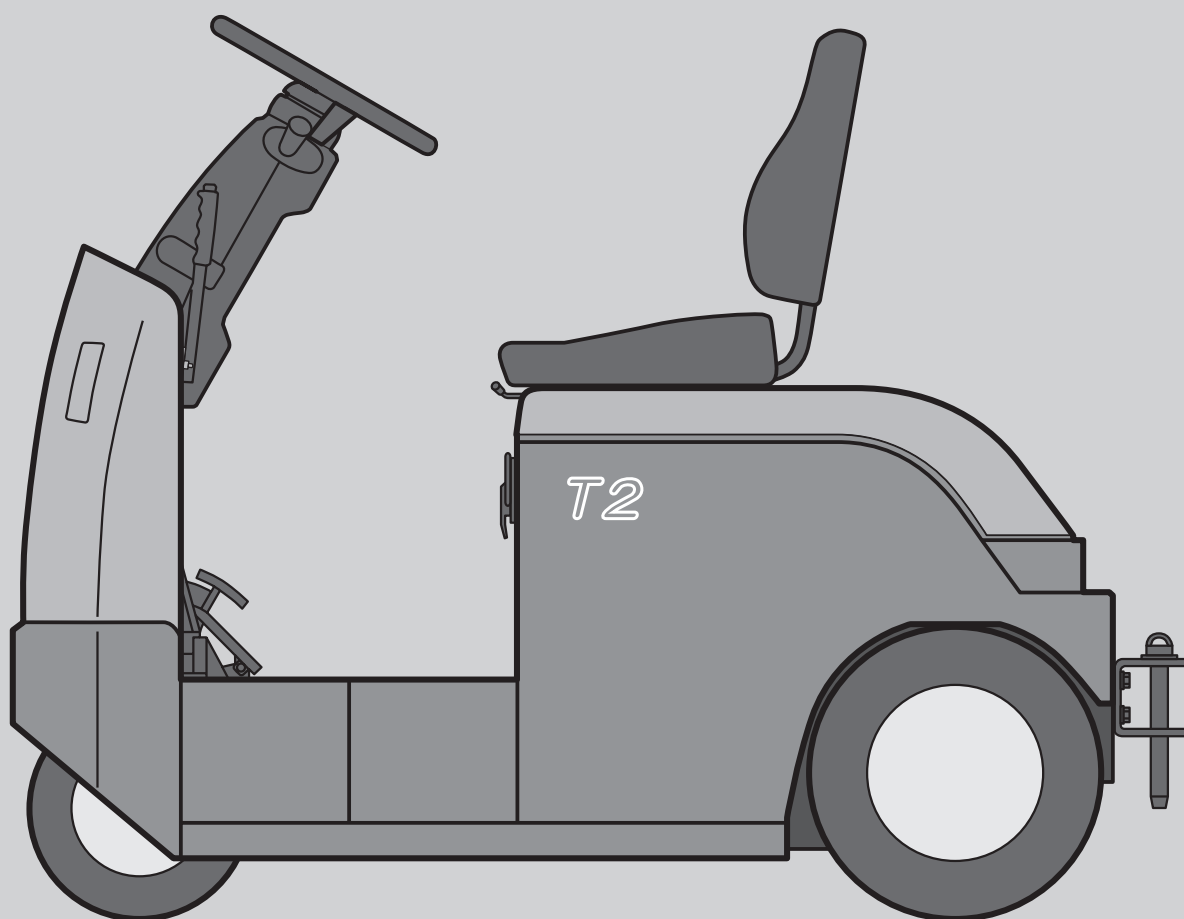


ELECTRIC POWERED TOWING TRACTOR 4CBT/4CBTY Series



 **TOYOTA**

200 to 400 kg (2,000 to 4,000 N)

4CBT2.3, 4CBTK4 [Sit-down Type]

200 and 400 kg (2,000 and 4,000 N)

4CBTY2, 4CBTYK4 [Stand-up Type]

MAIN VEHICLE SPECIFICATIONS

Manufacturer		TOYOTA		TOYOTA		TOYOTA	
Model		4CBT2		4CBT3		4CBTK4	
Power Type		Battery		Battery		Battery	
Operator Position		Sit-down		Sit-down		Sit-down	
Tire Type		Pneumatic		Pneumatic		Pneumatic	
Wheels (x = driven)		Front/Rear		1/2x		1/2x	
Maximum Drawbar Pull		3-Minute Ratings		N <kg>		2000 <200>	
Rated Drawbar Pull (Towing Capacity)		60-Minute Ratings		N <kg>		500 <50>	
Towed Weight		60-Minute Ratings		kg		2000	
Travel Speeds		No Load		km/h		13	
Gradeability *		3-Minute Ratings		No Load		% (tanθ)	
Overall Length		w/ Hitch		mm		1645	
Front Overhang		mm		1540		1540	
Rear Overhang		mm		180		180	
Overall Width		mm		800		800	
Overall Height		mm		1290		1290	
Turning Radius (Outside)		mm		1600		1600	
Hitch Length		mm		105		105	
Height of Hitch		mm		305		305	
Wheelbase		mm		1140		1140	
Tread		Front		mm		-	
Underclearance		Center of Wheelbase		mm		80	
Floor Height		mm		330		330	
Total Weight		w/ Battery		kg		620	
Weight Distribution (With STD Battery)		Front		kg		220	
Tires		Number		Front/Rear		1/2	
Brake		Service (Foot)		Hydraulic		Hydraulic	
Battery		Voltage/Capacity (5-Hour Ratings)		STD		V/AH	
Electric Motor		Drive		kW		AC 2.3	
Control Type		Drive		Transistor Inverter		Transistor Inverter	

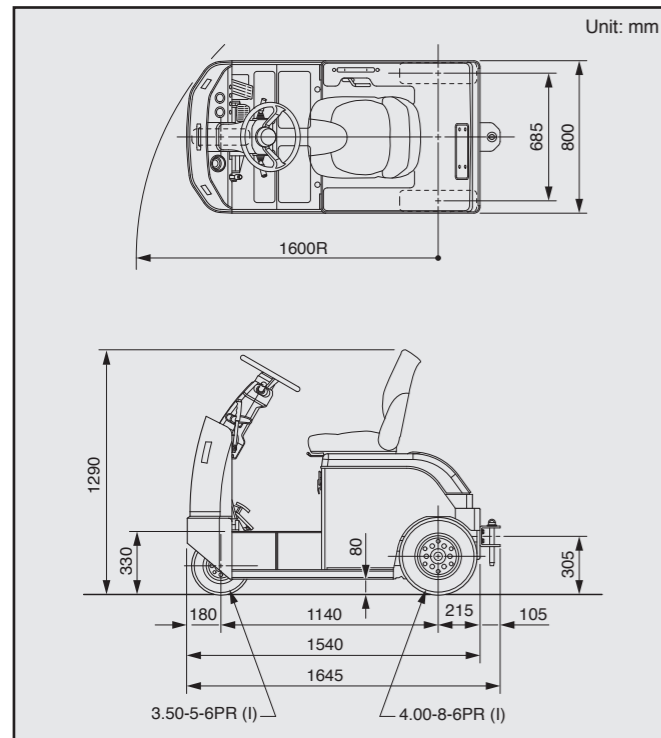
NOTE: * Computed values.

MAIN VEHICLE SPECIFICATIONS

Manufacturer		TOYOTA		TOYOTA	
Model		4CBTY2		4CBTYK4	
Power Type		Battery		Battery	
Operator Position		Stand-up		Stand-up	
Tire Type		Pneumatic		Pneumatic	
Wheels (x = driven)		Front/Rear		1/2x	
Maximum Drawbar Pull		3-Minute Ratings		N <kg>	
Rated Drawbar Pull (Towing Capacity)		60-Minute Ratings		N <kg>	
Towed Weight		60-Minute Ratings		kg	
Travel Speeds		No Load		km/h	
Gradeability *		3-Minute Ratings		No Load	
Overall Length		w/ Hitch		mm	
Front Overhang		mm		1540	
Rear Overhang		mm		180	
Overall Width		mm		800	
Overall Height		mm		1240/1450	
Turning Radius (Outside)		mm		1600	
Hitch Length		mm		105	
Height of Hitch		mm		305	
Wheelbase		mm		1140	
Tread		Front		mm	
Underclearance		Center of Wheelbase		mm	
Floor Height		mm		200	
Total Weight		w/ Battery		kg	
Weight Distribution (With STD Battery)		Front		kg	
Tires		Number		Front/Rear	
Brake		Service (Foot)		Hydraulic	
Battery		Voltage/Capacity (5-Hour Ratings)		STD	
Electric Motor		Drive		kW	
Control Type		Drive		Transistor Inverter	

NOTE: * Computed values.

DIMENSIONAL DRAWINGS



TOWED WEIGHT

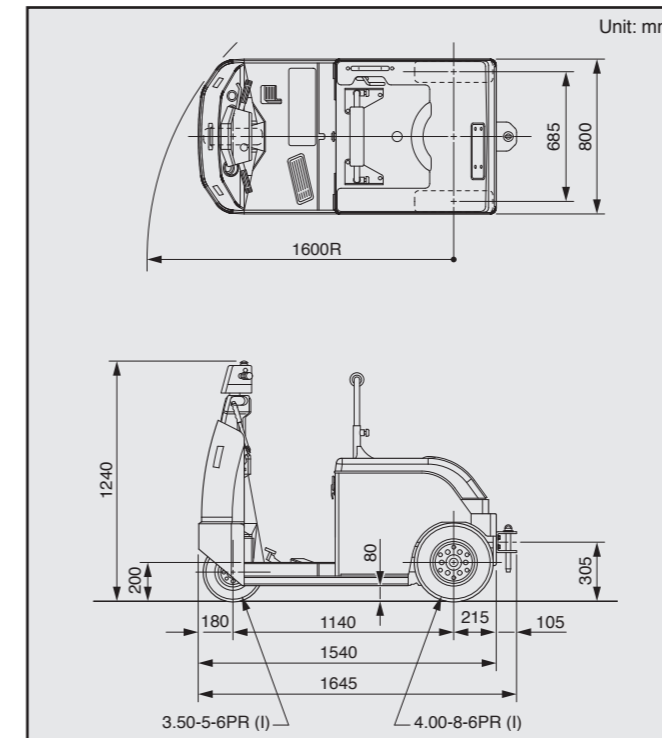
Unit: Ton

Model	Start on Grade		
	3-Minute Rating		
Surface Condition (Dry Even Concrete)	4CBT2	4CBT3	4CBTK4
Level Road	2.0	3.0	4.0
Grade (Degrees)	1°	1.6	2.7
	2°	1.2	2.1
	3°	1.0	1.7
	4°	0.8	1.4

Model	Start on Grade		
	60-Minute Rating		
Surface Condition (Dry Even Concrete)	4CBT2	4CBT3	4CBTK4
Level Road	2.0	3.0	4.0
Grade (Degrees)	1°	0.9	1.4
	2°	0.4	0.8
	3°	0.1	0.4
	4°	-	0.2

The data in this publication was determined based on our standard testing condition. Operating performance may vary depending on the actual specification and condition of the vehicle as well as the condition of the operating area.

DIMENSIONAL DRAWINGS



TOWED WEIGHT

Unit: Ton

Model	Start on Grade	
	3-Minute Rating	
Surface Condition (Dry Even Concrete)	4CBTY2	4CBTYK4
Level Road	2.0	4.0
Grade (Degrees)	1°	1.6
	2°	1.2
	3°	1.0
	4°	0.8

Model	Start on Grade	
	60-Minute Rating	
Surface Condition (Dry Even Concrete)	4CBTY2	4CBTYK4
Level Road	2.0	4.0
Grade (Degrees)	1°	0.9
	2°	0.4
	3°	0.1
	4°	-

The data in this publication was determined based on our standard testing condition. Operating performance may vary depending on the actual specification and condition of the vehicle as well as the condition of the operating area.

STANDARD EQUIPMENT

4CBT2.3, 4CBTK4

- Travel AC control
- Maximum-speed limit switch
- Pneumatic tire
- Self-adjusting hydraulic brake
- Double-action parking brake
- Emergency unplug lever
- Rear drawbar
- Seat (with OPS switch)
- Key switch
- Headlights
- Hour meter
- Battery capacity indicator with alarm display
- Electric horn
- Operator Presence Sensing System (OPS)
- Cup holder

4CBTY2, 4CBTYK4

- Travel AC control
- Maximum-speed limit switch
- Pneumatic tire
- Self-adjusting hydraulic brake
- Double-action parking brake
- Emergency unplug lever
- Rear drawbar
- Backrest with urethane cushion
- Key switch
- Headlights
- Hour meter
- Battery capacity indicator with alarm display
- Electric horn
- Operator Presence Sensing System (OPS)
- Cup holder

Availability and specifications are determined regionally and are subject to change without notice.
Please consult your Toyota representative for details.

All rights reserved by Toyota Industries Corporation.