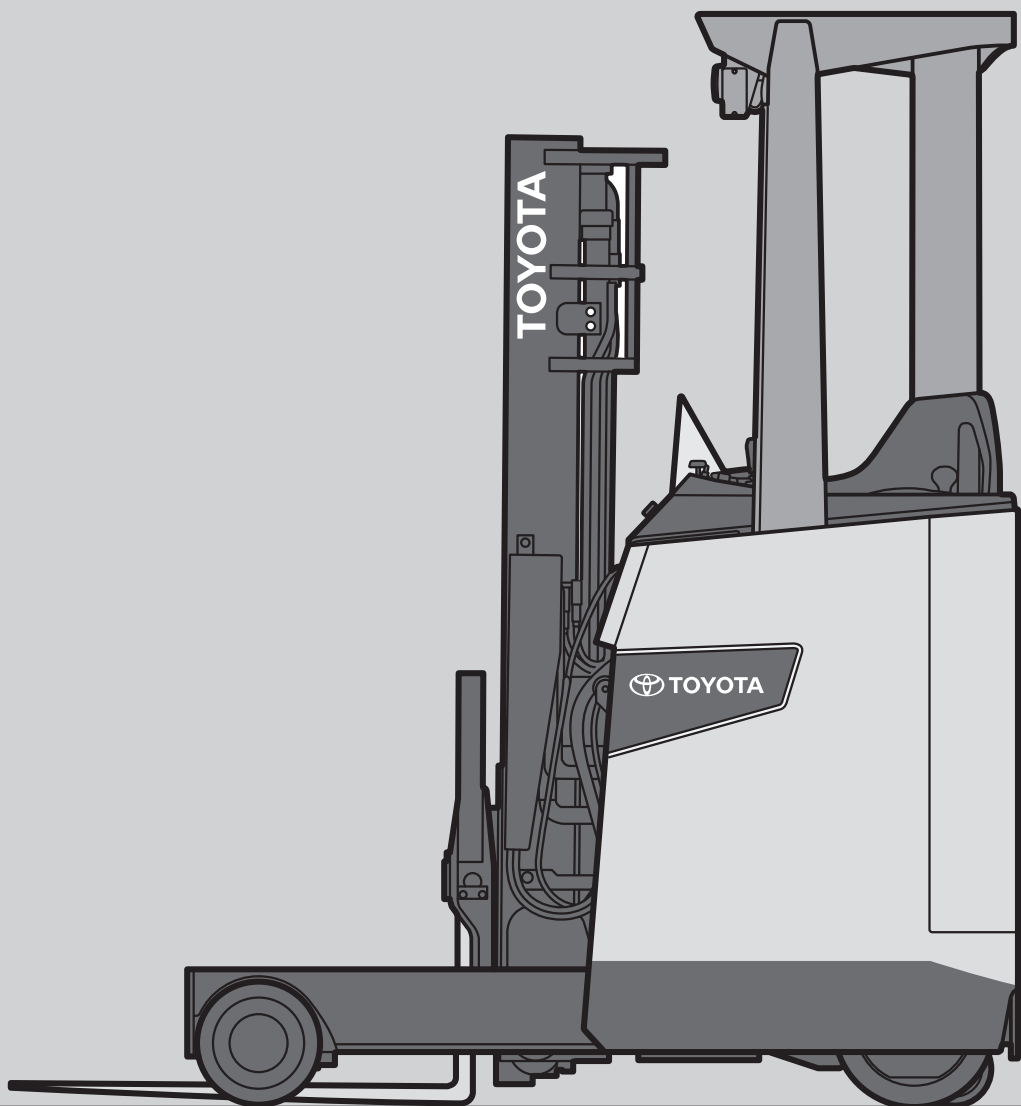


ELECTRIC POWERED REACH TRUCK

8FBR 1.0 to 3.0 Ton Series



1,000 kg

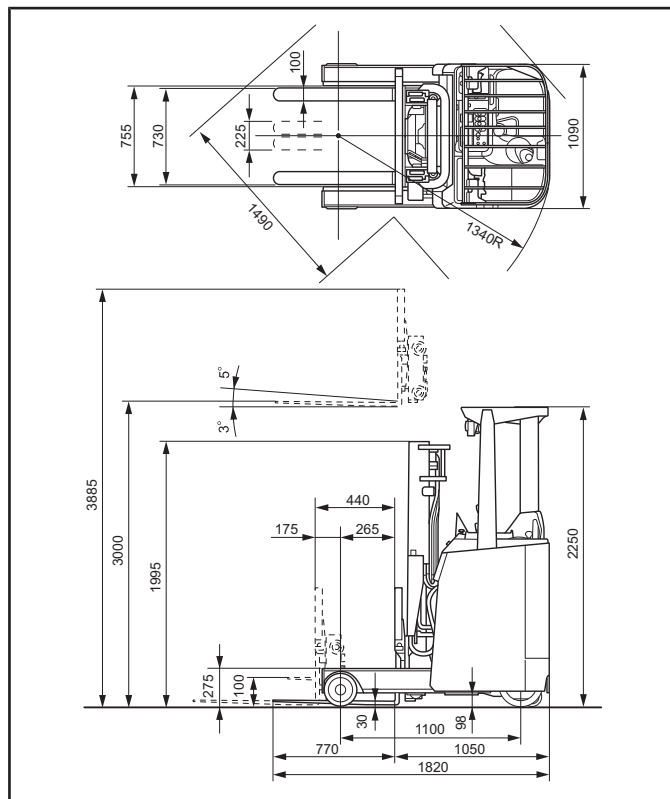
MAIN VEHICLE SPECIFICATIONS

Manufacturer				TOYOTA
Model				8FBR10
Load Capacity		kg		1000
Load Center		mm		500
Power Type				Battery
Operator Position				Stand Up
Tire Type		Front/Rear		Cushion/Cushion
Wheels (x = driven)		Front/Rear		2/1x+2
Maximum Fork Height (MFH)		mm		3000
Free Lift		mm		100
Fork Size		T x W x L	mm	30x100x770
Lateral Fork Adjustment		MAX./MIN.	mm	730/225
Tilt Range		Up/Down	deg	5/3
Overall Length		mm		1820
Length to Fork Face		mm		1050
Width Between Reach Legs		mm		755
Reach Stroke		mm		440
Overall Width		mm		1090
Reach Legs Height		mm		275
Mast Lowered Height		mm		1995
Mast Extended Height		mm		3885
Overhead Guard Height		mm		2250
Turning Radius (Outside)		mm		1340
Load Distance (Centerline of front axle to front face of forks)		Reach In/Reach Out	mm	265/175
Rear Overhang		mm		175
Basic Right Angle Stacking Aisle Width (With pallets 1100x1100, Add clearance 200mm)		mm		2540
Intersecting Aisle Width		No Pallet	mm	1490
Speeds	Travel, Max. (FWD/RVS)	Full Load	km/h	9.5
		No Load	km/h	10.5
	Lifting	Full Load	mm/sec	350
		No Load	mm/sec	560
	Lowering	Full Load	mm/sec	500
		No Load	mm/sec	550
Reach	Reach Out/Reach In	mm/sec	220/240	
Gradeability *	Full Load/ No Load	3-Minute Ratings	% (tanθ)	19/32
		5-Minute Ratings	% (tanθ)	19/32
		60-Minute Ratings	% (tanθ)	12/20
Total Weight		Without Battery	kg	1645
Weight Distribution (With STD Battery)	Full Load	Front	kg	2510
		Rear	kg	490
	No Load	Front	kg	700
		Rear	kg	1300
Tires	Size	Front, Load		260x120
		Rear, Drive		334x145
		Rear, Caster		150x80
Wheelbase		mm		1100
Tread	Front	mm		970
	Rear	mm		650
Backrest Height		mm		850
Overhead Guard Clearance		mm		1970
Floor Height		mm		250
Underclearance	Min. with Load	mm		98
	Center of Wheelbase	mm		80
	Rear Frame	mm		90
Brake	Front			Hydraulic
	Service Foot			Mechanical
	Parking			Mechanical
Battery	Voltage/Capacity	STD	V/AH	48/201
		MAX	V/AH	48/240
Weight (STD Capacity Type)		kg		355
Drive		kW		4.9
Electric Motors	Load Handling	kW		8
	Power Steering	kW		0.26
Control Type	Drive			AC Inverter
	Load Handling			AC Inverter
	Power Steering			DC Chopper
Operating Pressure		For Attachments	Mpa	12.2

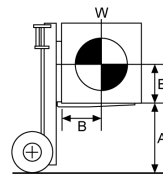
NOTE: * Computed values.

DIMENSIONAL DRAWINGS

Unit: mm



RATED CAPACITIES



A: Max. Fork Height
B: Load Center
W: Capacity

V, SV, FV Mast

Unit: kg (W)

A (mm)	2500	2700	3000	3300	3500	3700	4000	4500	5000
500	1000	1000	1000	1000	1000	1000	1000	1000	900
600	870	870	870	870	870	870	870	870	780
700	770	770	770	770	770	770	770	770	690
800	690	690	690	690	690	690	690	690	620
900	630	630	630	630	630	630	630	630	570
1000	570	570	570	570	570	570	570	570	520
1100	530	530	530	530	530	530	530	530	480
1200	490	490	490	490	490	490	490	490	440
1300	460	460	460	460	460	460	460	460	410

FSV Mast

Unit: kg (W)

A (mm)	3700	4000	4300	4500	4700	5000	5500	6000
500	1000	1000	950	900	900	850	700	550
600	870	870	830	780	780	740	610	480
700	770	770	730	690	690	660	540	420
800	690	690	660	620	620	590	480	380
900	630	630	600	570	570	530	440	350
1000	570	570	550	520	520	490	400	320
1100	530	530	500	480	480	450	370	290
1200	490	490	470	440	440	420	340	270
1300	460	460	430	410	410	390	320	250

MAST SPECIFICATIONS & RATED CAPACITIES

Mast Type	Maximum Fork Height	Overall Height		Free Lift		Tilt Range		Lost Load Center	Load Capacity at 500 mm LC	
		Lowered	Extended		Without Load Backrest	With Standard Load Backrest	Upward			Downward
			Without Load Backrest	With Standard Load Backrest						
	mm	mm	mm	mm	mm	mm	deg	deg	mm	kg
Wide Visible Mast (V)	2500	1745	3150	3385	100	100	5	3	175	1000
	2700	1845	3350	3585	100	100	5	3	175	1000
	3000	1995	3650	3885	100	100	5	3	175	1000
	3300	2145	3950	4185	100	100	5	3	175	1000
	3500	2245	4150	4385	100	100	5	3	175	1000
	3700	2345	4350	4585	100	100	5	3	175	1000
	4000	2495	4650	4885	100	100	5	3	175	1000
	4500	2845	5150	5385	100	100	5	3	175	1000
Wide Visible Mast (SV)	5000	3095	5650	5885	100	100	5	3	175	900
	2500	1745	3205	3385	410	410	5	3	175	1000
	2700	1845	3405	3585	410	410	5	3	175	1000
	3000	1995	3705	3885	410	410	5	3	175	1000
	3300	2145	4005	4185	410	410	5	3	175	1000
	3500	2245	4205	4385	410	410	5	3	175	1000
	3700	2345	4405	4585	410	410	5	3	175	1000
	4000	2495	4705	4885	410	410	5	3	175	1000
Wide Visible Full-Free Lift Two-Stage Mast (FV)	4500	2845	5205	5385	410	410	5	3	175	1000
	5000	3095	5705	5885	410	410	5	3	175	900
	2500	1745	3150	3385	935	890	5	3	175	1000
	2700	1845	3350	3585	1035	990	5	3	175	1000
	3000	1995	3650	3885	1185	1140	5	3	175	1000
	3300	2145	3950	4185	1335	1290	5	3	175	1000
	3500	2245	4150	4385	1435	1390	5	3	175	1000
	3700	2345	4350	4585	1535	1490	5	3	175	1000
Wide Visible Full-Free Lift Three-Stage Mast (FSV)	4000	2495	4650	4885	1685	1640	5	3	175	1000
	3700	1795	4300	4585	1225	940	5	3	175	1000
	4000	1895	4600	4885	1325	1040	5	3	175	1000
	4300	1995	4900	5185	1425	1140	5	3	175	950
	4500	2065	5100	5385	1495	1210	5	3	175	900
	4700	2145	5300	5585	1575	1290	5	3	175	900
	5000	2245	5600	5885	1680	1390	5	3	175	850
	5500	2405	6100	6385	1835	1550	5	3	175	700
6000	2595	6600	6885	2025	1740	5	3	175	550	

- NOTE:
1. Height of standard load backrest is 850 mm.
 2. For the truck with V mast and "Bar Type Forks" [M31B], the mast extended height without backrest is minus 355 mm against the mast extended height with backrest.
 3. Lost Load Center means the Load Distance when Reach Out.
 4. For the truck with V, SV mast and "Bar Type Forks" [M31B], the lost load center is 180 mm.
 5. For the truck with FV mast, "w/o Backrest" is standard.

1,250 kg

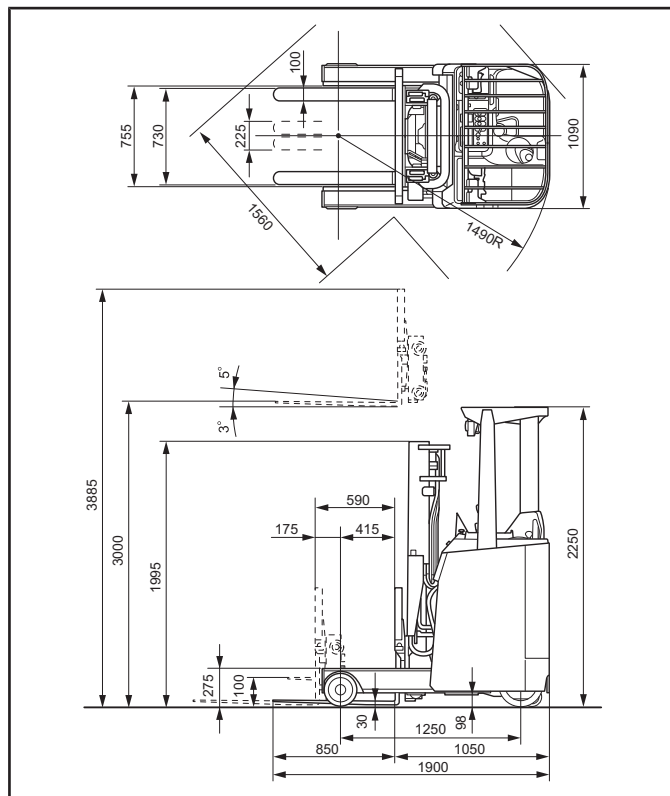
MAIN VEHICLE SPECIFICATIONS

Manufacturer				TOYOTA
Model				8FBR13
Load Capacity		kg		1250
Load Center		mm		500
Power Type				Battery
Operator Position				Stand Up
Tire Type		Front/Rear		Cushion/Cushion
Wheels (x = driven)		Front/Rear		2/1x+2
Maximum Fork Height (MFH)		mm		3000
Free Lift		mm		100
Fork Size		T x W x L	mm	30x100x850
Lateral Fork Adjustment		MAX./MIN.	mm	730/225
Tilt Range		Up/Down	deg	5/3
Overall Length		mm		1900
Length to Fork Face		mm		1050
Width Between Reach Legs		mm		755
Reach Stroke		mm		590
Overall Width		mm		1090
Reach Legs Height		mm		275
Mast Lowered Height		mm		1995
Mast Extended Height		mm		3885
Overhead Guard Height		mm		2250
Turning Radius (Outside)		mm		1490
Load Distance (Centerline of front axle to front face of forks)		Reach In/Reach Out	mm	415/175
Rear Overhang		mm		175
Basic Right Angle Stacking Aisle Width (With pallets 1100x1100, Add clearance 200mm)		mm		2570
Intersecting Aisle Width		No Pallette	mm	1560
Speeds	Travel, Max. (FWD/RVS)	Full Load	km/h	9.5
		No Load	km/h	10.5
	Lifting	Full Load	mm/sec	320
		No Load	mm/sec	560
	Lowering	Full Load	mm/sec	500
		No Load	mm/sec	550
Reach	Reach Out/Reach In	mm/sec	220/240	
Gradeability *	Full Load/ No Load	3-Minute Ratings	% (tanθ)	18/31
		5-Minute Ratings	% (tanθ)	18/31
		60-Minute Ratings	% (tanθ)	11/19
Total Weight		Without Battery	kg	1675
Weight Distribution (With STD Battery)	Full Load	Front	kg	2800
		Rear	kg	480
	No Load	Front	kg	640
		Rear	kg	1390
Tires	Size	Front, Load		260x120
		Rear, Drive		334x145
		Rear, Caster		150x80
Wheelbase		mm		1250
Tread	Front	mm		970
	Rear	mm		650
Backrest Height		mm		850
Overhead Guard Clearance		mm		1970
Floor Height		mm		250
Underclearance	Min. with Load	mm		98
	Center of Wheelbase	mm		80
	Rear Frame	mm		90
Brake	Front			Hydraulic
	Service Foot			Mechanical
	Parking			Mechanical
Battery	Voltage/Capacity	STD	V/AH	48/201
		MAX	V/AH	48/240
Weight (STD Capacity Type)		kg		355
Drive		kW		4.9
Electric Motors	Load Handling	kW		8
	Power Steering	kW		0.26
Control Type	Drive			AC Inverter
	Load Handling			AC Inverter
	Power Steering			DC Chopper
Operating Pressure		For Attachments	Mpa	12.2

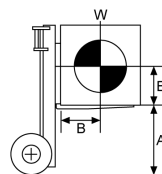
NOTE: * Computed values.

DIMENSIONAL DRAWINGS

Unit: mm



RATED CAPACITIES



A: Max. Fork Height
B: Load Center
W: Capacity

V, SV, FV Mast

Unit: kg (W)

A (mm)	2500	2700	3000	3300	3500	3700	4000	4500	5000
500	1250	1250	1250	1250	1250	1250	1250	1150	1050
600	1090	1090	1090	1090	1090	1090	1090	1000	910
700	960	960	960	960	960	960	960	890	810
800	870	870	870	870	870	870	870	800	730
900	780	780	780	780	780	780	780	720	660
1000	720	720	720	720	720	720	720	660	600
1100	660	660	660	660	660	660	660	610	560
1200	610	610	610	610	610	610	610	560	520
1300	570	570	570	570	570	570	570	530	480

FSV Mast

Unit: kg (W)

A (mm)	3700	4000	4300	4500	4700	5000	5500	6000
500	1250	1250	1200	1150	1150	1050	850	650
600	1090	1090	1050	1000	1000	910	740	570
700	960	960	930	890	890	810	660	500
800	870	870	830	800	800	730	590	450
900	780	780	750	720	720	660	530	410
1000	720	720	690	660	660	600	490	370
1100	660	660	640	610	610	560	450	340
1200	610	610	590	560	560	520	420	320
1300	570	570	550	530	530	480	390	300

MAST SPECIFICATIONS & RATED CAPACITIES

Mast Type	Maximum Fork Height	Overall Height		Free Lift		Tilt Range		Lost Load Center	Load Capacity at 500 mm LC	
		Lowered	Extended		Without Load Backrest	With Standard Load Backrest	Upward			Downward
			Without Load Backrest	With Standard Load Backrest						
	mm	mm	mm	mm	mm	mm	deg	deg	mm	kg
Wide Visible Mast (V)	2500	1745	3150	3385	100	100	5	3	175	1250
	2700	1845	3350	3585	100	100	5	3	175	1250
	3000	1995	3650	3885	100	100	5	3	175	1250
	3300	2145	3950	4185	100	100	5	3	175	1250
	3500	2245	4150	4385	100	100	5	3	175	1250
	3700	2345	4350	4585	100	100	5	3	175	1250
	4000	2495	4650	4885	100	100	5	3	175	1250
	4500	2845	5150	5385	100	100	5	3	175	1150
Wide Visible Mast (SV)	5000	3095	5650	5885	100	100	5	3	175	1050
	2500	1745	3205	3385	410	410	5	3	175	1250
	2700	1845	3405	3585	410	410	5	3	175	1250
	3000	1995	3705	3885	410	410	5	3	175	1250
	3300	2145	4005	4185	410	410	5	3	175	1250
	3500	2245	4205	4385	410	410	5	3	175	1250
	3700	2345	4405	4585	410	410	5	3	175	1250
	4000	2495	4705	4885	410	410	5	3	175	1250
Wide Visible Full-Free Lift Two-Stage Mast (FV)	4500	2845	5205	5385	410	410	5	3	175	1150
	5000	3095	5705	5885	410	410	5	3	175	1050
	2500	1745	3150	3385	935	890	5	3	175	1250
	2700	1845	3350	3585	1035	990	5	3	175	1250
	3000	1995	3650	3885	1185	1140	5	3	175	1250
	3300	2145	3950	4185	1335	1290	5	3	175	1250
	3500	2245	4150	4385	1435	1390	5	3	175	1250
	3700	2345	4350	4585	1535	1490	5	3	175	1250
Wide Visible Full-Free Lift Three-Stage Mast (FSV)	4000	2495	4650	4885	1685	1640	5	3	175	1250
	3700	1795	4300	4585	1225	940	5	3	175	1250
	4000	1895	4600	4885	1325	1040	5	3	175	1250
	4300	1995	4900	5185	1425	1140	5	3	175	1200
	4500	2065	5100	5385	1495	1210	5	3	175	1150
	4700	2145	5300	5585	1575	1290	5	3	175	1150
	5000	2245	5600	5885	1680	1390	5	3	175	1050
	5500	2405	6100	6385	1835	1550	5	3	175	850
6000	2595	6600	6885	2025	1740	5	3	175	650	

- NOTE:
- Height of standard load backrest is 850 mm.
 - For the truck with V mast and "Bar Type Forks" [M31B], the mast extended height without backrest is minus 355 mm against the mast extended height with backrest.
 - Lost Load Center means the Load Distance when Reach Out.
 - For the truck with V, SV mast and "Bar Type Forks" [M31B], the lost load center is 180 mm.
 - For the truck with FV mast, "w/o Backrest" is standard.

The data in this publication was determined based on our standard testing condition. Operating performance may vary depending on the actual specification and condition of the vehicle as well as the condition of the operating area.

1,500 kg

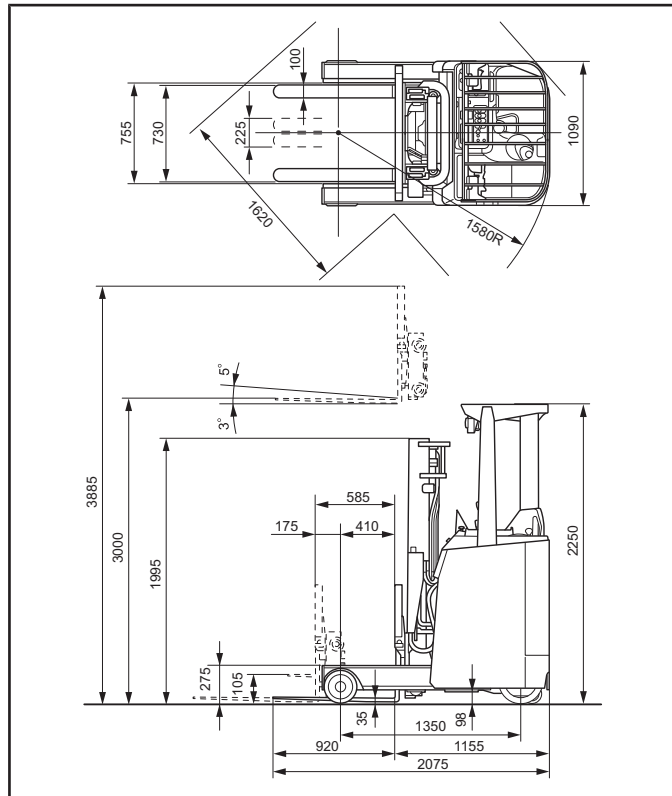
MAIN VEHICLE SPECIFICATIONS

Manufacturer				TOYOTA
Model				8FBR15
Load Capacity		kg		1500
Load Center		mm		500
Power Type				Battery
Operator Position				Stand Up
Tire Type		Front/Rear		Cushion/Cushion
Wheels (x = driven)		Front/Rear		2/1x+2
Maximum Fork Height (MFH)		mm		3000
Free Lift		mm		105
Fork Size		T x W x L	mm	35x100x920
Lateral Fork Adjustment		MAX./MIN.	mm	730/225
Tilt Range		Up/Down	deg	5/3
Overall Length		mm		2075
Length to Fork Face		mm		1155
Width Between Reach Legs		mm		755
Reach Stroke		mm		585
Overall Width		mm		1090
Reach Legs Height		mm		275
Mast Lowered Height		mm		1995
Mast Extended Height		mm		3885
Overhead Guard Height		mm		2250
Turning Radius (Outside)		mm		1580
Load Distance (Centerline of front axle to front face of forks)		Reach In/Reach Out	mm	410/175
Rear Overhang		mm		175
Basic Right Angle Stacking Aisle Width (With pallets 1100x1100, Add clearance 200mm)		mm		2660
Intersecting Aisle Width		No Pallet	mm	1620
Speeds	Travel, Max. (FWD/RVS)	Full Load	km/h	9.5
		No Load	km/h	10.5
	Lifting	Full Load	mm/sec	310
		No Load	mm/sec	560
	Lowering	Full Load	mm/sec	500
		No Load	mm/sec	550
Reach	Reach Out/Reach In	mm/sec	220/240	
Gradeability *	Full Load/ No Load	3-Minute Ratings	% (tanθ)	17/30
		5-Minute Ratings	% (tanθ)	17/30
		60-Minute Ratings	% (tanθ)	8/15
Total Weight		Without Battery	kg	1700
Weight Distribution (With STD Battery)	Full Load	Front	kg	3220
		Rear	kg	460
	No Load	Front	kg	750
		Rear	kg	1430
Tires	Size	Front, Load		254x120
		Rear, Drive		334x145
		Rear, Caster		150x80
Wheelbase		mm		1350
Tread	Front	mm		970
	Rear	mm		650
Backrest Height		mm		850
Overhead Guard Clearance		mm		1970
Floor Height		mm		250
Underclearance	Min. with Load	mm		98
	Center of Wheelbase	mm		80
	Rear Frame	mm		90
Brake	Front			Hydraulic
	Service Foot			Mechanical
	Parking			Mechanical
Battery	Voltage/Capacity	STD	V/AH	48/280
		MAX	V/AH	48/370
Weight (STD Capacity Type)		kg		480
Drive		kW		4.9
Electric Motors	Load Handling	kW		8
	Power Steering	kW		0.26
Control Type	Drive			AC Inverter
	Load Handling			AC Inverter
	Power Steering			DC Chopper
Operating Pressure		For Attachments	Mpa	16.7

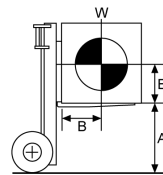
NOTE: * Computed values.

DIMENSIONAL DRAWINGS

Unit: mm



RATED CAPACITIES



A: Max. Fork Height
 B: Load Center
 W: Capacity

V, SV, FV Mast

Unit: kg (W)

A (mm)	2500	2700	3000	3300	3500	3700	4000	4500	5000
500	1500	1500	1500	1500	1500	1500	1500	1450	1400
600	1310	1310	1310	1310	1310	1310	1310	1260	1220
700	1160	1160	1160	1160	1160	1160	1160	1120	1080
800	1040	1040	1040	1040	1040	1040	1040	1000	970
900	940	940	940	940	940	940	940	910	880
1000	860	860	860	860	860	860	860	830	800
1100	790	790	790	790	790	790	790	770	740
1200	740	740	740	740	740	740	740	710	690
1300	690	690	690	690	690	690	690	660	640

FSV Mast

Unit: kg (W)

A (mm)	3700	4000	4300	4500	4700	5000	5500	6000
500	1500	1500	1500	1450	1450	1400	1150	900
600	1310	1310	1310	1260	1260	1220	1000	780
700	1160	1160	1160	1120	1120	1080	890	690
800	1040	1040	1040	1000	1000	970	800	620
900	940	940	940	910	910	880	720	570
1000	860	860	860	830	830	800	660	520
1100	790	790	790	770	770	740	610	480
1200	740	740	740	710	710	690	560	440
1300	690	690	690	660	660	640	530	410

MAST SPECIFICATIONS & RATED CAPACITIES

Mast Type	Maximum Fork Height	Overall Height		Free Lift		Tilt Range		Lost Load Center	Load Capacity at 500 mm LC	
		Lowered	Extended		Without Load Backrest	With Standard Load Backrest	Upward			Downward
			Without Load Backrest	With Standard Load Backrest						
mm	mm	mm	mm	mm	mm	deg	deg	mm	kg	
Wide Visible Mast (V)	2500	1745	3150	3385	105	105	5	3	175	1500
	2700	1845	3350	3585	105	105	5	3	175	1500
	3000	1995	3650	3885	105	105	5	3	175	1500
	3300	2145	3950	4185	105	105	5	3	175	1500
	3500	2245	4150	4385	105	105	5	3	175	1500
	3700	2345	4350	4585	105	105	5	3	175	1500
	4000	2495	4650	4885	105	105	5	3	175	1500
	4500	2845	5150	5385	105	105	5	3	175	1450
Wide Visible Mast (SV)	5000	3095	5650	5885	105	105	5	3	175	1400
	2500	1745	3205	3385	415	415	5	3	175	1500
	2700	1845	3405	3585	415	415	5	3	175	1500
	3000	1995	3705	3885	415	415	5	3	175	1500
	3300	2145	4005	4185	415	415	5	3	175	1500
	3500	2245	4205	4385	415	415	5	3	175	1500
	3700	2345	4405	4585	415	415	5	3	175	1500
	4000	2495	4705	4885	415	415	5	3	175	1500
Wide Visible Full-Free Lift Two-Stage Mast (FV)	4500	2845	5205	5385	415	415	5	3	175	1450
	5000	3095	5705	5885	415	415	5	3	175	1400
	2500	1745	3150	3385	940	895	5	3	175	1500
	2700	1845	3350	3585	1040	995	5	3	175	1500
	3000	1995	3650	3885	1190	1145	5	3	175	1500
	3300	2145	3950	4185	1340	1295	5	3	175	1500
	3500	2245	4150	4385	1440	1395	5	3	175	1500
	3700	2345	4350	4585	1540	1495	5	3	175	1500
Wide Visible Full-Free Lift Three-Stage Mast (FSV)	4000	2495	4650	4885	1690	1645	5	3	175	1500
	3700	1795	4300	4585	1230	945	5	3	175	1500
	4000	1895	4600	4885	1330	1045	5	3	175	1500
	4300	1995	4900	5185	1430	1145	5	3	175	1500
	4500	2065	5100	5385	1500	1215	5	3	175	1450
	4700	2145	5300	5585	1580	1295	5	3	175	1450
	5000	2245	5600	5885	1680	1395	5	3	175	1400
	5500	2405	6100	6385	1840	1555	5	3	175	1150
6000	2595	6600	6885	2030	1745	5	3	175	900	

- NOTE: 1. Height of standard load backrest is 850 mm.
 2. For the truck with V mast and "Bar Type Forks" [M31B], the mast extended height without backrest is minus 355 mm against the mast extended height with backrest.
 3. Lost Load Center means the Load Distance when Reach Out.
 4. For the truck with V, SV mast and "Bar Type Forks" [M31B], the lost load center is 180 mm.
 5. For the truck with FV mast, "w/o Backrest" is standard.

1,800 kg

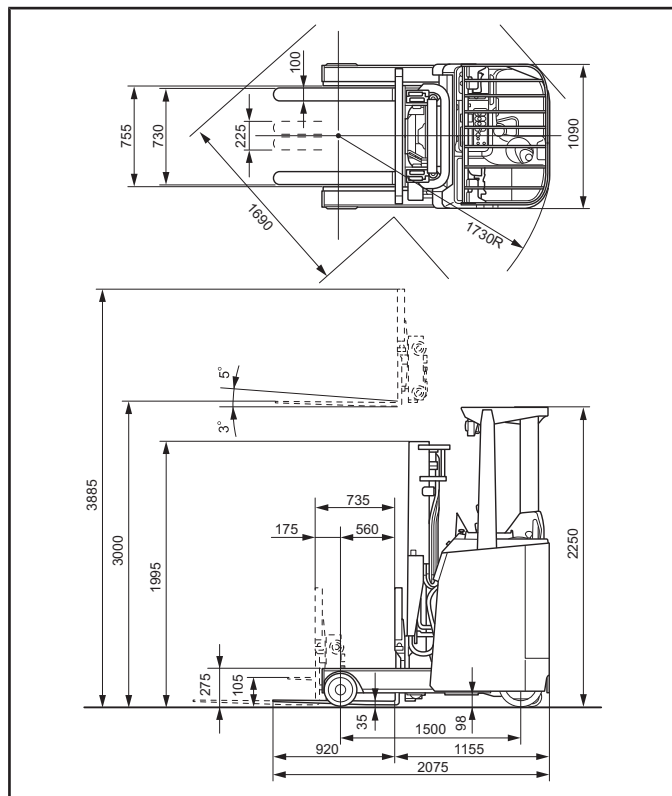
MAIN VEHICLE SPECIFICATIONS

Manufacturer				TOYOTA
Model				8FBR18
Load Capacity		kg		1800
Load Center		mm		500
Power Type				Battery
Operator Position				Stand Up
Tire Type		Front/Rear		Cushion/Cushion
Wheels (x = driven)		Front/Rear		2/1x+2
Maximum Fork Height (MFH)		mm		3000
Free Lift		mm		105
Fork Size		T x W x L	mm	35x100x920
Lateral Fork Adjustment		MAX./MIN.	mm	730/225
Tilt Range		Up/Down	deg	5/3
Overall Length		mm		2075
Length to Fork Face		mm		1155
Width Between Reach Legs		mm		755
Reach Stroke		mm		735
Overall Width		mm		1090
Reach Legs Height		mm		275
Mast Lowered Height		mm		1995
Mast Extended Height		mm		3885
Overhead Guard Height		mm		2250
Turning Radius (Outside)		mm		1730
Load Distance (Centerline of front axle to front face of forks)		Reach In/Reach Out	mm	560/175
Rear Overhang		mm		175
Basic Right Angle Stacking Aisle Width (With pallets 1100x1100, Add clearance 200mm)		mm		2700
Intersecting Aisle Width		No Pallet	mm	1690
Speeds	Travel, Max. (FWD/RVS)	Full Load	km/h	9.5
		No Load	km/h	10.5
	Lifting	Full Load	mm/sec	300
		No Load	mm/sec	560
	Lowering	Full Load	mm/sec	500
		No Load	mm/sec	550
Reach	Reach Out/Reach In	mm/sec	220/240	
Gradeability *	Full Load/ No Load	3-Minute Ratings	% (tanθ)	15/28
		5-Minute Ratings	% (tanθ)	15/28
		60-Minute Ratings	% (tanθ)	7/14
Total Weight		Without Battery	kg	1790
Weight Distribution (With STD Battery)	Full Load	Front	kg	3560
		Rear	kg	510
	No Load	Front	kg	700
		Rear	kg	1570
Tires	Size	Front, Load		254x120
		Rear, Drive		334x145
		Rear, Caster		150x80
Wheelbase		mm		1500
Tread	Front	mm		970
	Rear	mm		650
Backrest Height		mm		850
Overhead Guard Clearance		mm		1970
Floor Height		mm		250
Underclearance	Min. with Load	mm		98
	Center of Wheelbase	mm		80
	Rear Frame	mm		90
Brake	Front			Hydraulic
	Service Foot			Mechanical
	Parking			Mechanical
Battery	Voltage/Capacity	STD	V/AH	48/280
		MAX	V/AH	48/370
	Weight (STD Capacity Type)	kg		480
Electric Motors	Drive	kW		4.9
	Load Handling	kW		8
	Power Steering	kW		0.26
Control Type	Drive			AC Inverter
	Load Handling			AC Inverter
	Power Steering			DC Chopper
Operating Pressure		For Attachments	Mpa	16.7

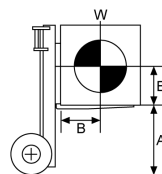
NOTE: * Computed values.

DIMENSIONAL DRAWINGS

Unit: mm



RATED CAPACITIES



A: Max. Fork Height
B: Load Center
W: Capacity

V, SV, FV Mast

Unit: kg (W)

A (mm)	2500	2700	3000	3300	3500	3700	4000	4500	5000
500	1800	1800	1800	1800	1800	1800	1800	1700	1550
600	1570	1570	1570	1570	1570	1570	1570	1480	1350
700	1390	1390	1390	1390	1390	1390	1390	1310	1200
800	1250	1250	1250	1250	1250	1250	1250	1180	1070
900	1130	1130	1130	1130	1130	1130	1130	1070	970
1000	1030	1030	1030	1030	1030	1030	1030	980	890
1100	950	950	950	950	950	950	950	900	820
1200	880	880	880	880	880	880	880	830	760
1300	820	820	820	820	820	820	820	780	710

FSV Mast

Unit: kg (W)

A (mm)	3700	4000	4300	4500	4700	5000	5500	6000
500	1800	1800	1750	1650	1650	1550	1350	1050
600	1570	1570	1520	1440	1440	1350	1180	910
700	1390	1390	1350	1270	1270	1200	1040	810
800	1250	1250	1210	1140	1140	1070	930	730
900	1130	1130	1100	1040	1040	970	850	660
1000	1030	1030	1010	950	950	890	780	600
1100	950	950	930	870	870	820	710	560
1200	880	880	860	810	810	760	660	520
1300	820	820	800	760	760	710	620	480

MAST SPECIFICATIONS & RATED CAPACITIES

Mast Type	Maximum Fork Height	Overall Height		Free Lift		Tilt Range		Lost Load Center	Load Capacity at 500 mm LC	
		Lowered	Extended		Without Load Backrest	With Standard Load Backrest	Upward			Downward
			Without Load Backrest	With Standard Load Backrest						
mm	mm	mm	mm	mm	mm	deg	deg	mm	kg	
Wide Visible Mast (V)	2500	1745	3150	3385	105	105	5	3	175	1800
	2700	1845	3350	3585	105	105	5	3	175	1800
	3000	1995	3650	3885	105	105	5	3	175	1800
	3300	2145	3950	4185	105	105	5	3	175	1800
	3500	2245	4150	4385	105	105	5	3	175	1800
	3700	2345	4350	4585	105	105	5	3	175	1800
	4000	2495	4650	4885	105	105	5	3	175	1800
	4500	2845	5150	5385	105	105	5	3	175	1700
Wide Visible Mast (SV)	5000	3095	5650	5885	105	105	5	3	175	1550
	2500	1745	3205	3385	415	415	5	3	175	1800
	2700	1845	3405	3585	415	415	5	3	175	1800
	3000	1995	3705	3885	415	415	5	3	175	1800
	3300	2145	4005	4185	415	415	5	3	175	1800
	3500	2245	4205	4385	415	415	5	3	175	1800
	3700	2345	4405	4585	415	415	5	3	175	1800
	4000	2495	4705	4885	415	415	5	3	175	1800
Wide Visible Full-Free Lift Two-Stage Mast (FV)	4500	2845	5205	5385	415	415	5	3	175	1700
	5000	3095	5705	5885	415	415	5	3	175	1550
	2500	1745	3150	3385	940	895	5	3	175	1800
	2700	1845	3350	3585	1040	995	5	3	175	1800
	3000	1995	3650	3885	1190	1145	5	3	175	1800
	3300	2145	3950	4185	1340	1295	5	3	175	1800
	3500	2245	4150	4385	1440	1395	5	3	175	1800
	3700	2345	4350	4585	1540	1495	5	3	175	1800
Wide Visible Full-Free Lift Three-Stage Mast (FSV)	4000	2495	4650	4885	1690	1645	5	3	175	1800
	3700	1795	4300	4585	1230	945	5	3	175	1800
	4000	1895	4600	4885	1330	1045	5	3	175	1800
	4300	1995	4900	5185	1430	1145	5	3	175	1750
	4500	2065	5100	5385	1500	1215	5	3	175	1650
	4700	2145	5300	5585	1580	1295	5	3	175	1650
	5000	2245	5600	5885	1680	1395	5	3	175	1550
	5500	2405	6100	6385	1840	1555	5	3	175	1350
6000	2595	6600	6885	2030	1745	5	3	175	1050	

- NOTE:
1. Height of standard load backrest is 850 mm.
 2. For the truck with V mast and "Bar Type Forks" [M31B], the mast extended height without backrest is minus 275 mm against the mast extended height with backrest.
 3. Lost Load Center means the Load Distance when Reach Out.
 4. For the truck with V, SV mast and "Bar Type Forks" [M31B], the lost load center is 180 mm.
 5. For the truck with FV mast, "w/o Backrest" is standard.

The data in this publication was determined based on our standard testing condition. Operating performance may vary depending on the actual specification and condition of the vehicle as well as the condition of the operating area.

2,000 kg

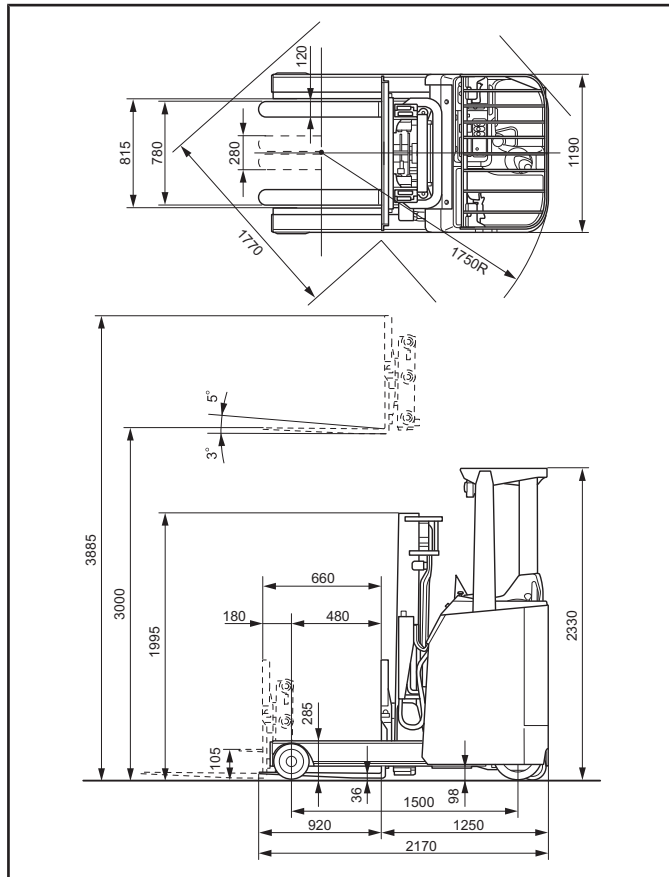
MAIN VEHICLE SPECIFICATIONS

Manufacturer				TOYOTA	
Model				8FBR20	
Load Capacity		kg		2000	
Load Center		mm		500	
Power Type				Battery	
Operator Position				Stand Up	
Tire Type		Front/Rear		Cushion/Cushion	
Wheels (x = driven)		Front/Rear		2/1x+2	
Maximum Fork Height (MFH)		mm		3000	
Free Lift		mm		105	
Fork Size		T x W x L	mm	36x120x920	
Lateral Fork Adjustment		MAX./MIN.	mm	780/280	
Tilt Range		Up/Down	deg	5/3	
Overall Length		mm		2170	
Length to Fork Face		mm		1250	
Width Between Reach Legs		mm		815	
Reach Stroke		mm		660	
Overall Width		mm		1190	
Reach Legs Height		mm		285	
Mast Lowered Height		mm		1995	
Mast Extended Height		mm		3885	
Overhead Guard Height		mm		2330	
Turning Radius (Outside)		mm		1750	
Load Distance (Centerline of front axle to front face of forks)		Reach In/Reach Out	mm	480/180	
Rear Overhang		mm		180	
Basic Right Angle Stacking Aisle Width (With pallets 1100x1100, Add clearance 200mm)		mm		2780	
Intersecting Aisle Width		No Pallet	mm	1770	
Speeds	Travel, Max. (FWD/RVS)	Full Load	km/h	10	
		No Load	km/h	11.5	
	Lifting	Full Load	mm/sec	300	
		No Load	mm/sec	500	
	Lowering	Full Load	mm/sec	500	
		No Load	mm/sec	450	
Reach	Reach Out/Reach In	mm/sec	220/240		
Gradeability *	Full Load/ No Load	3-Minute Ratings	% (tanθ)	17/30	
		5-Minute Ratings	% (tanθ)	17/30	
		60-Minute Ratings	% (tanθ)	6/12	
Total Weight		Without Battery	kg	2135	
Weight Distribution (With STD Battery)	Full Load	Full Reach	Front	kg	4070
			Rear	kg	660
	No Load	Full Reach	Front	kg	880
			Rear	kg	1850
Tires	Size	Front, Load		267x127	
		Rear, Drive		380x145	
		Rear, Caster		204x76	
Wheelbase		mm		1500	
Tread	Front	mm		1065	
	Rear	mm		690	
Backrest Height		mm		850	
Overhead Guard Clearance		mm		1980	
Floor Height		mm		315	
Underclearance	Min. with Load	mm		98	
	Center of Wheelbase	mm		80	
	Rear Frame	mm		90	
Brake	Front			Hydraulic	
	Service Foot			Mechanical	
	Parking			Mechanical	
Battery	Voltage/Capacity	STD	V/AH	48/320	
		MAX	V/AH	48/445	
	Weight (STD Capacity Type)	kg		595	
Electric Motors	Drive	kW		5.2	
	Load Handling	kW		11	
	Power Steering	kW		0.35	
Control Type	Drive			AC Inverter	
	Load Handling			AC Inverter	
	Power Steering			DC Chopper	
Operating Pressure		For Attachments	Mpa	18.1	

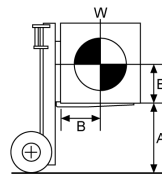
NOTE: * Computed values.

DIMENSIONAL DRAWINGS

Unit: mm



RATED CAPACITIES



A: Max. Fork Height
B: Load Center
W: Capacity

V, SV, FV Mast

Unit: kg (W)

A (mm)	2500	2700	3000	3300	3500	3700	4000	4500	5000
B (mm)	500	2000	2000	2000	2000	2000	2000	1900	1850
	600	1740	1740	1740	1740	1740	1740	1660	1610
	700	1550	1550	1550	1550	1550	1550	1470	1430
	800	1390	1390	1390	1390	1390	1390	1320	1280
	900	1260	1260	1260	1260	1260	1260	1200	1160
	1000	1150	1150	1150	1150	1150	1150	1090	1070
	1100	1060	1060	1060	1060	1060	1060	1010	980
	1200	990	990	990	990	990	990	940	910
	1300	920	920	920	920	920	920	870	850

MAST SPECIFICATIONS & RATED CAPACITIES

Mast Type	Maximum Fork Height	Overall Height			Free Lift		Tilt Range		Lost Load Center	Load Capacity at 500 mm LC
		Lowered	Extended		Without Load Backrest	With Standard Load Backrest	Upward	Downward		
			Without Load Backrest	With Standard Load Backrest						
mm	mm	mm	mm	mm	mm	deg	deg	mm	kg	
Wide Visible Mast (V)	2500	1745	3230	3385	105	105	5	3	180	2000
	2700	1845	3430	3585	105	105	5	3	180	2000
	3000	1995	3730	3885	105	105	5	3	180	2000
	3300	2145	4030	4185	105	105	5	3	180	2000
	3500	2245	4230	4385	105	105	5	3	180	2000
	3700	2405	4430	4585	105	105	5	3	180	2000
	4000	2555	4730	4885	105	105	5	3	180	2000
	4500	2845	5230	5385	105	105	5	3	180	1900
Wide Visible Mast (SV)	5000	3095	5730	5885	105	105	5	3	180	1850
	2500	1745	3230	3385	390	390	5	3	180	2000
	2700	1845	3430	3585	390	390	5	3	180	2000
	3000	1995	3730	3885	390	390	5	3	180	2000
	3300	2145	4030	4185	390	390	5	3	180	2000
	3500	2245	4230	4385	390	390	5	3	180	2000
	3700	2405	4430	4585	510	510	5	3	180	2000
	4000	2555	4730	4885	510	510	5	3	180	2000
Wide Visible Full-Free Lift Two-Stage Mast (FV)	4500	2845	5230	5385	510	510	5	3	180	1900
	5000	3095	5730	5885	510	510	5	3	180	1850
	3000	1995	3675	3885	1175	1145	5	3	180	2000
	3300	2145	3975	4185	1325	1295	5	3	180	2000
	3500	2245	4175	4385	1425	1395	5	3	180	2000
	3700	2405	4375	4585	1585	1555	5	3	180	2000
4000	2555	4675	4885	1735	1705	5	3	180	2000	

NOTE: 1. Height of standard load backrest is 850 mm.
 2. There is no backrest in the FV-MAST standard.
 3. Lost Load Center means the Load Distance when Reach Out.

2,000 kg

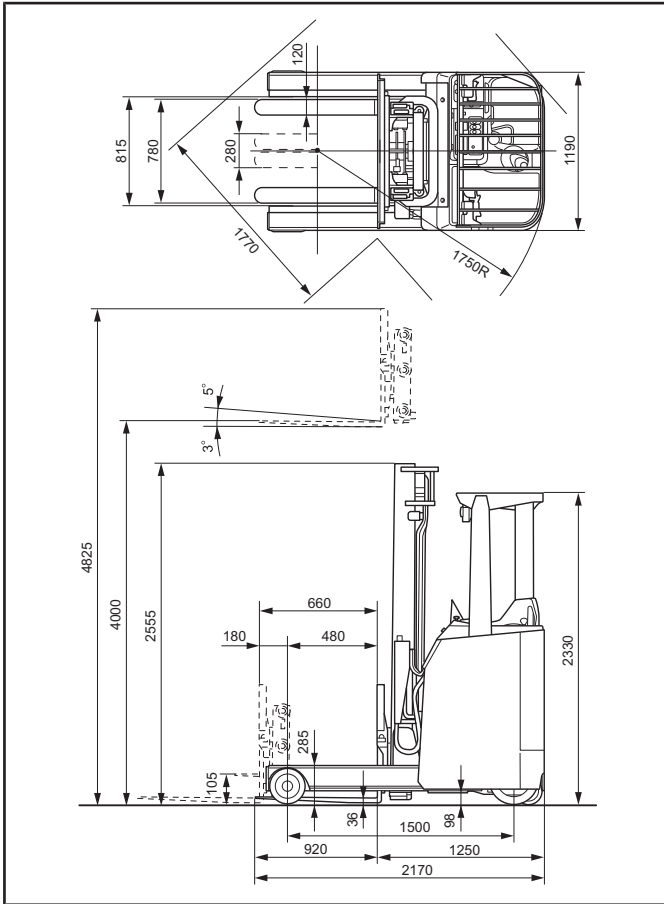
MAIN VEHICLE SPECIFICATIONS

Manufacturer			TOYOTA	
Model			8FBR20	
Load Capacity			kg	2000
Load Center			mm	500
Power Type			Battery	
Operator Position			Stand Up	
Tire Type	Front/Rear		Cushion/Cushion	
Wheels (x = driven)	Front/Rear		2/1x+2	
Maximum Fork Height (MFH)			mm	4000
Free Lift			mm	105
Fork Size	T x W x L		mm	36x120x920
Lateral Fork Adjustment	MAX./MIN.		mm	780/280
Tilt Range	Up/Down		deg	5/3
Overall Length			mm	2170
Length to Fork Face			mm	1250
Width Between Reach Legs			mm	815
Reach Stroke			mm	660
Overall Width			mm	1190
Reach Legs Height			mm	285
Most Lowered Height			mm	2555
Mast Extended Height			mm	4825
Overhead Guard Height			mm	2330
Turning Radius (Outside)			mm	1750
Load Distance (Centerline of front axle to front face of forks)	Reach In/Reach Out		mm	480/180
Rear Overhang			mm	180
Basic Right Angle Stacking Aisle Width (With pallets 1100x1100, Add clearance 200mm)			mm	2780
Intersecting Aisle Width	No Pallets		mm	1770
Speeds	Travel, Max. (FWD/RVS)	Full Load	km/h	10
		No Load	km/h	11.5
	Lifting	Full Load	mm/sec	300
		No Load	mm/sec	500
	Lowering	Full Load	mm/sec	500
		No Load	mm/sec	450
Reach	Reach Out/Reach In		mm/sec	220/240
Gradeability *	Full Load/ No Load	3-Minute Ratings	% (tanθ)	17/30
		5-Minute Ratings	% (tanθ)	17/30
		60-Minute Ratings	% (tanθ)	6/12
Total Weight	Without Battery		kg	2275
Weight Distribution (With STD Battery)	Full Load	Front	kg	4150
		Rear	kg	720
	No Load	Front	kg	930
		Rear	kg	1940
Tires	Size	Front, Load		267x127
		Rear, Drive		380x145
		Rear, Caster		204x76
Wheelbase			mm	1500
Tread	Front		mm	1065
	Rear		mm	690
Backrest Height			mm	850
Overhead Guard Clearance			mm	1980
Floor Height			mm	315
Underclearance	Min. with Load		mm	98
	Center of Wheelbase		mm	80
	Rear Frame		mm	90
Brake	Front		Hydraulic	
	Service Foot		Mechanical	
	Parking		Mechanical	
Battery	Voltage/Capacity	STD	V/AH	48/320
		MAX	V/AH	48/445
	Weight (STD Capacity Type)			kg
Electric Motors	Drive		kW	5.2
	Load Handling		kW	11
	Power Steering		kW	0.35
Control Type	Drive		AC Inverter	
	Load Handling		AC Inverter	
	Power Steering		DC Chopper	
Operating Pressure	For Attachments		Mpa	18.1

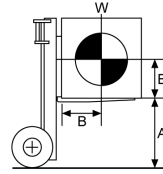
NOTE: * Computed values.

DIMENSIONAL DRAWINGS

Unit: mm



RATED CAPACITIES



A: Max. Fork Height
B: Load Center
W: Capacity

V, SV, FV Mast

Unit: kg (W)

A (mm)	3500	3700	4000	4500	5000
500	2000	2000	2000	2000	2000
600	1740	1740	1740	1740	1740
700	1550	1550	1550	1550	1550
800	1390	1390	1390	1390	1390
900	1260	1260	1260	1260	1260
1000	1150	1150	1150	1150	1150
1100	1060	1060	1060	1060	1060
1200	990	990	990	990	990
1300	920	920	920	920	920

FSV Mast

Unit: kg (W)

A (mm)	4300	4500	4700	5000	5500	6000	6500	7000
500	2000	2000	2000	2000	1850	1750	1550	1400
600	1740	1740	1740	1740	1610	1530	1350	1220
700	1550	1550	1550	1550	1430	1350	1200	1080
800	1390	1390	1390	1390	1280	1210	1080	970
900	1260	1260	1260	1260	1160	1100	980	880
1000	1150	1150	1150	1150	1070	1010	890	810
1100	1060	1060	1060	1060	980	930	820	740
1200	990	990	990	990	910	860	760	690
1300	920	920	920	920	850	800	710	640

MAST SPECIFICATIONS & RATED CAPACITIES

Mast Type	Maximum Fork Height	Overall Height			Free Lift		Tilt Range		Lost Load Center	Load Capacity at 500 mm LC
		Lowered	Extended		Without Load Backrest	With Standard Load Backrest	Upward	Downward		
			Without Load Backrest	With Standard Load Backrest						
mm	mm	mm	mm	mm	mm	deg	deg	mm	kg	
Wide Visible Mast (V)	3500	2245	4230	4385	105	105	5	3	180	2000
	3700	2405	4430	4585	105	105	5	3	180	2000
	4000	2555	4730	4885	105	105	5	3	180	2000
	4500	2845	5230	5385	105	105	5	3	180	2000
	5000	3095	5730	5885	105	105	5	3	180	2000
Wide Visible Mast (SV)	3500	2245	4230	4385	390	390	5	3	180	2000
	3700	2405	4430	4585	510	510	5	3	180	2000
	4000	2555	4730	4885	510	510	5	3	180	2000
	4500	2845	5230	5385	510	510	5	3	180	2000
	5000	3095	5730	5885	510	510	5	3	180	2000
Wide Visible Full-Free Lift Two-Stage Mast (FV)	3500	2245	4175	4385	1425	1395	5	3	180	2000
	3700	2405	4375	4585	1585	1555	5	3	180	2000
	4000	2555	4675	4885	1735	1705	5	3	180	2000
Wide Visible Full-Free Lift Three-Stage Mast (FSV)	4300	1965	4880	5185	1420	1115	5	3	180	2000
	4500	2035	5080	5385	1490	1185	5	3	180	2000
	4700	2115	5280	5585	1570	1265	5	3	180	2000
	5000	2215	5580	5885	1670	1365	5	3	180	2000
	5500	2375	6080	6385	1830	1525	5	3	180	1850
	6000	2565	6580	6885	2020	1715	5	3	180	1750
	6500	2815	6830	7385	2270	1965	5	3	180	1550
	7000	3065	7030	7885	2520	2215	5	3	180	1400

NOTE: 1. Height of standard load backrest is 850 mm.
 2. There is no backrest in the FV-MAST standard.
 3. Lost Load Center means the Load Distance when Reach Out.

2,500 kg

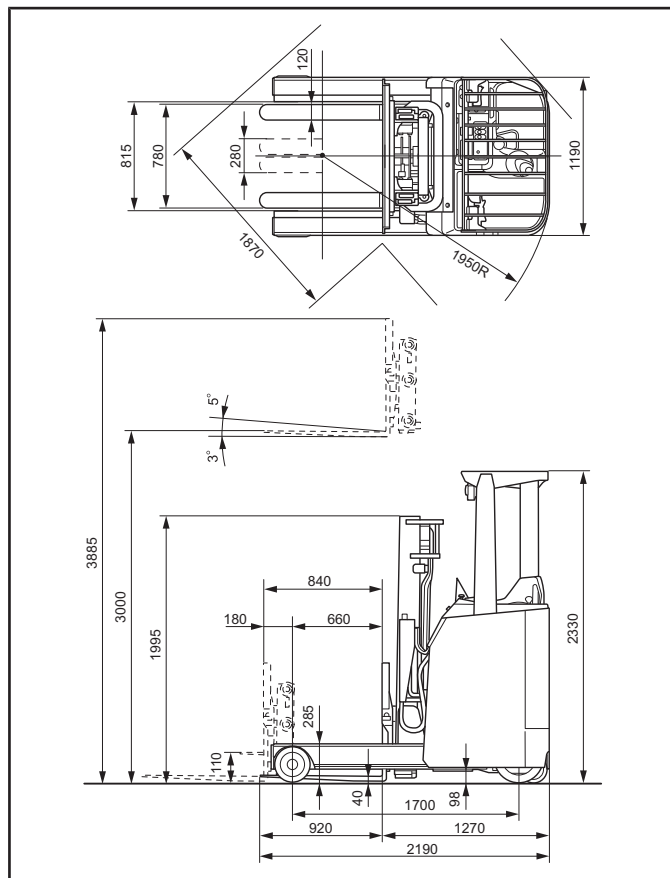
MAIN VEHICLE SPECIFICATIONS

Manufacturer			TOYOTA	
Model			8FBR25	
Load Capacity	kg		2500	
Load Center	mm		500	
Power Type			Battery	
Operator Position			Stand Up	
Tire Type	Front/Rear		Cushion/Cushion	
Wheels (x = driven)	Front/Rear		2/1x+2	
Maximum Fork Height (MFH)	mm		3000	
Free Lift	mm		110	
Fork Size	T x W x L		40x120x920	
Lateral Fork Adjustment	MAX./MIN.		780/280	
Tilt Range	Up/Down		5/3	
Overall Length	mm		2190	
Length to Fork Face	mm		1270	
Width Between Reach Legs	mm		815	
Reach Stroke	mm		840	
Overall Width	mm		1190	
Reach Legs Height	mm		285	
Mast Lowered Height	mm		1995	
Mast Extended Height	mm		3885	
Overhead Guard Height	mm		2330	
Turning Radius (Outside)	mm		1950	
Load Distance (Centerline of front axle to front face of forks)	Reach In/Reach Out		mm	
Rear Overhang	mm		180	
Basic Right Angle Stacking Aisle Width (With pallets 1100x1100, Add clearance 200mm)	mm		2850	
Intersecting Aisle Width	No Pallet		mm	
Speeds	Travel, Max. (FWD/RVS)	Full Load	km/h	9.5
		No Load	km/h	11.5
	Lifting	Full Load	mm/sec	280
		No Load	mm/sec	500
	Lowering	Full Load	mm/sec	500
		No Load	mm/sec	450
	Reach	Reach Out/Reach In	mm/sec	220/240
	Gradeability *	Full Load/ No Load	3-Minute Ratings	% (tanθ)
5-Minute Ratings			% (tanθ)	15/28
60-Minute Ratings			% (tanθ)	5/11
Total Weight	Without Battery		kg	
Weight Distribution (With STD Battery)	Full Load	Front	kg	4620
		Rear	kg	710
	No Load	Front	kg	790
		Rear	kg	2040
Tires	Size	Front, Load		267x127
		Rear, Drive		380x145
		Rear, Caster		204x76
Wheelbase	mm		1700	
Tread	Front	mm	1065	
	Rear	mm	690	
Backrest Height	mm		850	
Overhead Guard Clearance	mm		1980	
Floor Height	mm		315	
Underclearance	Min. with Load	mm		98
	Center of Wheelbase	mm		80
	Rear Frame	mm		90
Brake	Front			Hydraulic
	Service Foot			Mechanical
	Parking			Mechanical
Battery	Voltage/Capacity	STD	V/AH	48/320
		MAX	V/AH	48/445
	Weight (STD Capacity Type)	kg		595
Electric Motors	Drive	kW		5.2
	Load Handling	kW		11
	Power Steering	kW		0.35
Control Type	Drive			AC Inverter
	Load Handling			AC Inverter
	Power Steering			DC Chopper
Operating Pressure	For Attachments	Mpa	18.1	

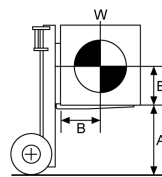
NOTE: * Computed values.

DIMENSIONAL DRAWINGS

Unit: mm



RATED CAPACITIES



A: Max. Fork Height
B: Load Center
W: Capacity

V, SV, FV Mast

Unit: kg (W)

A (mm)	2500	2700	3000	3300	3500	3700	4000	4500	5000
500	2500	2500	2500	2500	2500	2500	2500	2400	2300
600	2180	2180	2180	2180	2180	2180	2180	2090	2010
700	1930	1930	1930	1930	1930	1930	1930	1850	1780
800	1730	1730	1730	1730	1730	1730	1730	1670	1600
900	1570	1570	1570	1570	1570	1570	1570	1510	1450
1000	1440	1440	1440	1440	1440	1440	1440	1380	1330
1100	1330	1330	1330	1330	1330	1330	1330	1280	1220
1200	1230	1230	1230	1230	1230	1230	1230	1180	1130
1300	1150	1150	1150	1150	1150	1150	1150	1100	1060

MAST SPECIFICATIONS & RATED CAPACITIES

Mast Type	Maximum Fork Height	Overall Height		Free Lift		Tilt Range		Lost Load Center	Load Capacity at 500 mm LC	
		Lowered	Extended		Without Load Backrest	With Standard Load Backrest	Upward			Downward
			Without Load Backrest	With Standard Load Backrest						
mm	mm	mm	mm	mm	mm	deg	deg	mm	kg	
Wide Visible Mast (V)	2500	1745	3230	3385	110	110	5	3	180	2500
	2700	1845	3430	3585	110	110	5	3	180	2500
	3000	1995	3730	3885	110	110	5	3	180	2500
	3300	2145	4030	4185	110	110	5	3	180	2500
	3500	2245	4230	4385	110	110	5	3	180	2500
	3700	2405	4430	4585	110	110	5	3	180	2500
	4000	2555	4730	4885	110	110	5	3	180	2500
	4500	2845	5230	5385	110	110	5	3	180	2400
Wide Visible Mast (SV)	5000	3095	5730	5885	110	110	5	3	180	2300
	2500	1745	3230	3385	390	390	5	3	180	2500
	2700	1845	3430	3585	390	390	5	3	180	2500
	3000	1995	3730	3885	390	390	5	3	180	2500
	3300	2145	4030	4185	390	390	5	3	180	2500
	3500	2245	4230	4385	390	390	5	3	180	2500
	3700	2405	4430	4585	510	510	5	3	180	2500
	4000	2555	4730	4885	510	510	5	3	180	2500
Wide Visible Full-Free Lift Two-Stage Mast (FV)	4500	2845	5230	5385	510	510	5	3	180	2400
	5000	3095	5730	5885	510	510	5	3	180	2300
	3000	1995	3675	3885	1180	1150	5	3	180	2500
	3300	2145	3975	4185	1330	1300	5	3	180	2500
	3500	2245	4175	4385	1430	1400	5	3	180	2500
	3700	2405	4375	4585	1590	1560	5	3	180	2500
	4000	2555	4675	4885	1740	1710	5	3	180	2500

NOTE: 1. Height of standard load backrest is 850 mm.
 2. There is no backrest in the FV-MAST standard.
 3. Lost Load Center means the Load Distance when Reach Out.

2,500 kg

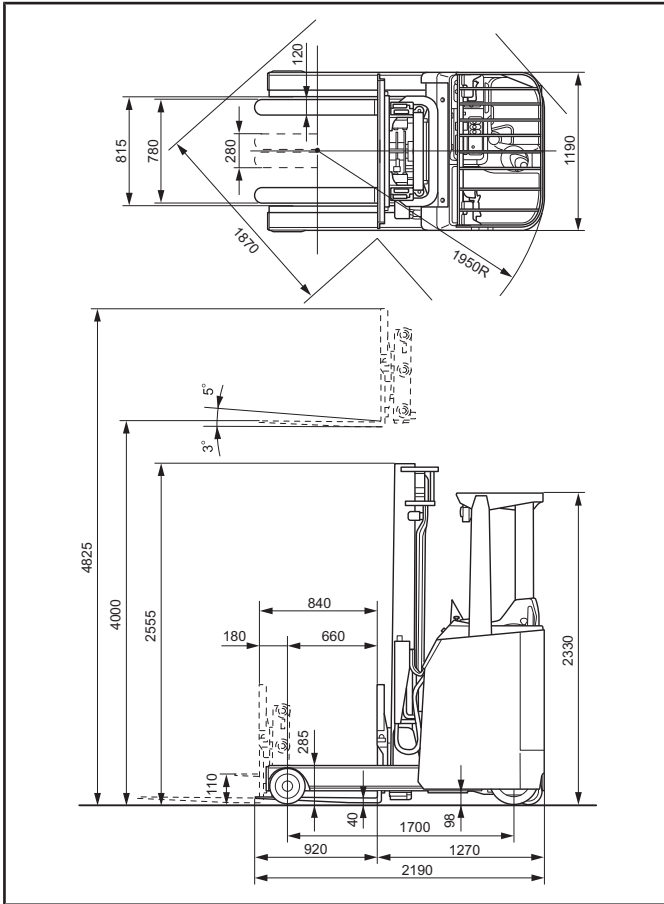
MAIN VEHICLE SPECIFICATIONS

Manufacturer				TOYOTA
Model				8FBR25
Load Capacity		kg		2500
Load Center		mm		500
Power Type				Battery
Operator Position				Stand Up
Tire Type		Front/Rear		Cushion/Cushion
Wheels (x = driven)		Front/Rear		2/1x+2
Maximum Fork Height (MFH)		mm		4000
Free Lift		mm		110
Fork Size		T x W x L	mm	40x120x920
Lateral Fork Adjustment		MAX./MIN.	mm	780/280
Tilt Range		Up/Down	deg	5/3
Overall Length		mm		2190
Length to Fork Face		mm		1270
Width Between Reach Legs		mm		815
Reach Stroke		mm		840
Overall Width		mm		1190
Reach Legs Height		mm		285
Mast Lowered Height		mm		2555
Mast Extended Height		mm		4825
Overhead Guard Height		mm		2330
Turning Radius (Outside)		mm		1950
Load Distance (Centerline of front axle to front face of forks)		Reach In/Reach Out	mm	660/180
Rear Overhang		mm		180
Basic Right Angle Stacking Aisle Width (With pallets 1100x1100, Add clearance 200mm)		mm		2850
Intersecting Aisle Width		No Pallet	mm	1870
Speeds	Travel, Max. (FWD/RVS)	Full Load	km/h	9.5
		No Load	km/h	11.5
	Lifting	Full Load	mm/sec	280
		No Load	mm/sec	500
	Lowering	Full Load	mm/sec	500
		No Load	mm/sec	450
Reach	Reach Out/Reach In	mm/sec	220/240	
Gradeability *	Full Load/ No Load	3-Minute Ratings	% (tanθ)	15/28
		5-Minute Ratings	% (tanθ)	15/28
		60-Minute Ratings	% (tanθ)	5/11
Total Weight		Without Battery	kg	2300
Weight Distribution (With STD Battery)	Full Load	Front	kg	4710
		Rear	kg	770
	No Load	Front	kg	850
		Rear	kg	2130
Tires	Size	Front, Load		267x127
		Rear, Drive		380x145
		Rear, Caster		204x76
Wheelbase		mm		1700
Tread	Front	mm		1065
	Rear	mm		690
Backrest Height		mm		850
Overhead Guard Clearance		mm		1980
Floor Height		mm		315
Underclearance	Min. with Load	mm		98
	Center of Wheelbase	mm		80
	Rear Frame	mm		90
Brake	Front			Hydraulic
	Service Foot			Mechanical
	Parking			Mechanical
Battery	Voltage/Capacity	STD	V/AH	48/390
		MAX	V/AH	48/445
Weight (STD Capacity Type)		kg		680
Drive		kW		5.2
Electric Motors	Load Handling	kW		11
	Power Steering	kW		0.35
Control Type	Drive			AC Inverter
	Load Handling			AC Inverter
	Power Steering			DC Chopper
Operating Pressure		For Attachments	Mpa	18.1

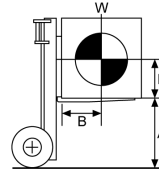
NOTE: * Computed values.

DIMENSIONAL DRAWINGS

Unit: mm



RATED CAPACITIES



A: Max. Fork Height
B: Load Center
W: Capacity

V, SV, FV Mast

Unit: kg (W)

A (mm)	3500	3700	4000	4500	5000
500	2500	2500	2500	2500	2500
600	2180	2180	2180	2180	2180
700	1930	1930	1930	1930	1930
800	1730	1730	1730	1730	1730
900	1570	1570	1570	1570	1570
1000	1440	1440	1440	1440	1440
1100	1330	1330	1330	1330	1330
1200	1230	1230	1230	1230	1230
1300	1150	1150	1150	1150	1150

FSV Mast

Unit: kg (W)

A (mm)	4300	4500	4700	5000	5500	6000
500	2500	2500	2500	2500	2250	2100
600	2180	2180	2180	2180	1960	1830
700	1930	1930	1930	1930	1740	1620
800	1730	1730	1730	1730	1560	1460
900	1570	1570	1570	1570	1420	1320
1000	1440	1440	1440	1440	1300	1210
1100	1330	1330	1330	1330	1200	1120
1200	1230	1230	1230	1230	1110	1030
1300	1150	1150	1150	1150	1030	960

MAST SPECIFICATIONS & RATED CAPACITIES

Mast Type	Maximum Fork Height	Overall Height			Free Lift		Tilt Range		Lost Load Center	Load Capacity at 500 mm LC
		Lowered	Extended		Without Load Backrest	With Standard Load Backrest	Upward	Downward		
			Without Load Backrest	With Standard Load Backrest						
mm	mm	mm	mm	mm	mm	deg	deg	mm	kg	
Wide Visible Mast (V)	3500	2245	4230	4385	110	110	5	3	180	2500
	3700	2405	4430	4585	110	110	5	3	180	2500
	4000	2555	4730	4885	110	110	5	3	180	2500
	4500	2845	5230	5385	110	110	5	3	180	2500
	5000	3095	5730	5885	110	110	5	3	180	2500
Wide Visible Mast (SV)	3500	2245	4230	4385	390	390	5	3	180	2500
	3700	2405	4430	4585	510	510	5	3	180	2500
	4000	2555	4730	4885	510	510	5	3	180	2500
	4500	2845	5230	5385	510	510	5	3	180	2500
	5000	3095	5730	5885	510	510	5	3	180	2500
Wide Visible Full-Free Lift Two-Stage Mast (FV)	3500	2245	4175	4385	1430	1400	5	3	180	2500
	3700	2405	4375	4585	1590	1560	5	3	180	2500
	4000	2555	4675	4885	1740	1710	5	3	180	2500
Wide Visible Full-Free Lift Three-Stage Mast (FSV)	4300	1965	4880	5185	1425	1120	5	3	180	2500
	4500	2035	5080	5385	1495	1190	5	3	180	2500
	4700	2115	5280	5585	1575	1270	5	3	180	2500
	5000	2215	5580	5885	1675	1370	5	3	180	2500
	5500	2375	6080	6385	1835	1530	5	3	180	2250
	6000	2565	6580	6885	2025	1720	5	3	180	2100

NOTE: 1. Height of standard load backrest is 850 mm.
 2. There is no backrest in the FV-MAST standard.
 3. Lost Load Center means the Load Distance when Reach Out.

3,000 kg

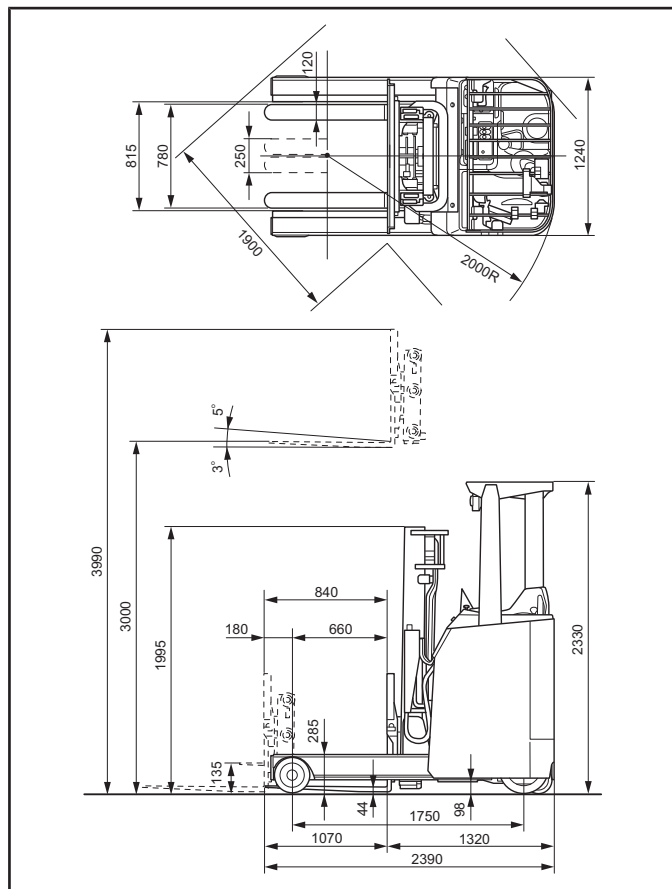
MAIN VEHICLE SPECIFICATIONS

Manufacturer			TOYOTA	
Model			8FBR30	
Load Capacity	kg		3000	
Load Center	mm		500	
Power Type			Battery	
Operator Position			Stand Up	
Tire Type	Front/Rear		Cushion/Cushion	
Wheels (x = driven)	Front/Rear		2/1x+2	
Maximum Fork Height (MFH)	mm		3000	
Free Lift	mm		135	
Fork Size	T x W x L		44x120x1070	
Lateral Fork Adjustment	MAX./MIN.		780/250	
Tilt Range	Up/Down		deg 5/3	
Overall Length	mm		2390	
Length to Fork Face	mm		1320	
Width Between Reach Legs	mm		815	
Reach Stroke	mm		840	
Overall Width	mm		1240	
Reach Legs Height	mm		285	
Max Lowered Height	mm		1995	
Max Extended Height	mm		3990	
Overhead Guard Height	mm		2330	
Turning Radius (Outside)	mm		2000	
Load Distance (Centerline of front axle to front face of forks)	Reach In/Reach Out		mm 660/180	
Rear Overhang	mm		180	
Basic Right Angle Stacking Aisle Width (With pallets 1100x1100, Add clearance 200mm)	mm		2900	
Intersecting Aisle Width	No Pallet		mm 1900	
Speeds	Travel, Max. (FWD/RVS)	Full Load	km/h	9
		No Load	km/h	11
	Lifting	Full Load	mm/sec	220
		No Load	mm/sec	420
	Lowering	Full Load	mm/sec	500
		No Load	mm/sec	450
	Reach	Reach Out/Reach In	mm/sec	220/240
Gradeability *	Full Load/ No Load	3-Minute Ratings	% (tanθ)	13/26
		5-Minute Ratings	% (tanθ)	13/26
		60-Minute Ratings	% (tanθ)	5/10
Total Weight	Without Battery		kg 2525	
Weight Distribution (With STD Battery)	Full Load	Front	kg	5560
		Rear	kg	660
	No Load	Front	kg	1000
		Rear	kg	2220
Tires	Size	Front, Load		267x150
		Rear, Drive		380x145
		Rear, Caster		204x76
Wheelbase	mm		1750	
Tread	Front	mm	1090	
	Rear	mm	690	
Backrest Height	mm		950	
Overhead Guard Clearance	mm		1980	
Floor Height	mm		315	
Underclearance	Min. with Load	mm	98	
	Center of Wheelbase	mm	80	
	Rear Frame	mm	90	
Brake	Front		Hydraulic	
	Service Foot		Mechanical	
	Parking		Mechanical	
Battery	Voltage/Capacity	STD	V/AH	48/445
		MAX	V/AH	48/445
	Weight (STD Capacity Type)	kg	695	
Electric Motors	Drive	kW	5.2	
	Load Handling	kW	11	
	Power Steering	kW	0.35	
Control Type	Drive		AC Inverter	
	Load Handling		AC Inverter	
	Power Steering		DC Chopper	
Operating Pressure	For Attachments	Mpa	18.1	

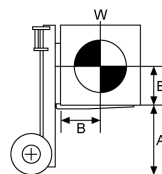
NOTE: * Computed values.

DIMENSIONAL DRAWINGS

Unit: mm



RATED CAPACITIES



A: Max. Fork Height
B: Load Center
W: Capacity

V, SV Mast

Unit: kg (W)

A (mm)	2500	2700	3000	3300	3500	3700	4000	4500	5000
B (mm)	500	3000	3000	3000	3000	3000	3000	2900	2800
	600	2620	2620	2620	2620	2620	2620	2530	2440
	700	2320	2320	2320	2320	2320	2320	2240	2160
	800	2080	2080	2080	2080	2080	2080	2010	1940
B (mm)	900	1890	1890	1890	1890	1890	1890	1830	1760
	1000	1730	1730	1730	1730	1730	1730	1670	1610
	1100	1590	1590	1590	1590	1590	1590	1540	1490
	1200	1480	1480	1480	1480	1480	1480	1430	1380
	1300	1380	1380	1380	1380	1380	1380	1330	1290

FSV Mast

Unit: kg (W)

A (mm)	4300	4500	4700	5000	5500	6000
B (mm)	500	3000	3000	2850	2750	2400
	600	2620	2620	2480	2400	2090
	700	2320	2320	2200	2130	1850
	800	2080	2080	1980	1910	1670
B (mm)	900	1890	1890	1790	1730	1510
	1000	1730	1730	1640	1580	1380
	1100	1590	1590	1510	1460	1280
	1200	1480	1480	1400	1360	1180
	1300	1380	1380	1310	1260	1100

MAST SPECIFICATIONS & RATED CAPACITIES

Mast Type	Maximum Fork Height	Overall Height		Free Lift		Tilt Range		Lost Load Center	Load Capacity at 500 mm LC	
		Lowered	Extended		Without Load Backrest	With Standard Load Backrest	Upward			Downward
			Without Load Backrest	With Standard Load Backrest						
mm	mm	mm	mm	mm	mm	deg	deg	mm	kg	
Wide Visible Mast (V)	2500	1745	3275	3490	135	135	5	3	180	3000
	2700	1845	3475	3690	135	135	5	3	180	3000
	3000	1995	3775	3990	135	135	5	3	180	3000
	3300	2145	4075	4290	135	135	5	3	180	3000
	3500	2245	4275	4490	135	135	5	3	180	3000
	3700	2405	4475	4690	135	135	5	3	180	3000
	4000	2595	4775	4990	135	135	5	3	180	3000
	4500	2845	5275	5490	135	135	5	3	180	2900
Wide Visible Mast (SV)	5000	3095	5775	5990	135	135	5	3	180	2800
	2500	1745	3275	3490	365	365	5	3	180	3000
	2700	1845	3475	3690	365	365	5	3	180	3000
	3000	1995	3775	3990	365	365	5	3	180	3000
	3300	2145	4075	4290	365	365	5	3	180	3000
	3500	2245	4275	4490	365	365	5	3	180	3000
	3700	2405	4475	4690	365	365	5	3	180	3000
	4000	2595	4775	4990	365	365	5	3	180	3000
Wide Visible Full-Free Lift Three-Stage Mast (FSV)	4500	2845	5275	5490	365	365	5	3	180	2900
	5000	3095	5775	5990	365	365	5	3	180	2800
	4300	2115	4970	5290	1435	1170	5	3	180	3000
	4500	2165	5170	5490	1530	1220	5	3	180	3000
	4700	2215	5370	5690	1580	1270	5	3	180	2850
	5000	2375	5670	5990	1740	1430	5	3	180	2750
Wide Visible Full-Free Lift Three-Stage Mast (FSV)	5500	2565	6170	6490	1930	1620	5	3	180	2400
	6000	2815	6670	6990	2180	1870	5	3	180	2150

NOTE: 1. Height of standard load backrest is 950 mm.
 2. Lost Load Center means the Load Distance when Reach Out.

STANDARD EQUIPMENT

8FBR10.13.15.18.20.25.30, 8FBRS20.25

- Wide Visible Mast (V) [MFH: 3000 mm (8FBR10.13.15.18.20.25.30)]
- Wide Visible Mast (V) [MFH: 4000 mm (8FBRS20.25)]
- Shaft type forks (8FBR10.13.15.18.20.25, 8FBRS20.25)
- Bar type forks (8FBR30)
- Load backrest (V, SV and FSV) [Height: 850 mm(8FBR10.13.15.18, 8FBRS20.25)] [Height: 950 mm (8FBR30)]
- Load backrest (V and SV) [Height: 850 mm (8FBR20.25)]
- Operator Presence Sensing System (OPS)
- Shockless landing (V, SV and FSV)
- Deluxe multifunction display(Maximum speed control, Over speed alarm, Digital diagnosis, Battery capacity indicator, Speedometer, Power meter, Wheel indicator, Direction indicator, Load weight indicator, Scheduled maintenance hour meter, Battery overdischarge warning, Battery remaining-charge warning, Overheat warning, Low temperature warning, Return-to-neutral warning, Manager's secondary password setting)
- Anti-rollback
- SAS-R (Traction control, Front-assist brake system, Suspension control)
- Automatic turn-speed control
- Power select function
- Power keep function
- Auto power-off function
- Headlights
- Back-up buzzer
- Turn signal lights
- Electric horn
- Overhead guard with rear-positioned headgurad pillar
- Emergency unplug lever
- Electric power steering (EPS)
- Back support with integrated assist grip
- Assist grip for left hand
- Arm pad
- Hand Protector
- Spacious flat top panel
- Pencil holder
- Cup holder

Availability and specifications are determined by market and are subject to change without notice.
Please consult your Toyota representative for details.

All rights reserved by Toyota Industries Corporation.