

4FD100.115

4FD120.135

MAIN VEHICLE SPECIFICATIONS

(June 2017)

1	Manufacturer			TOYOTA	TOYOTA	TOYOTA	TOYOTA	
2	Model			4FD100	4FD115	4FD120	4FD135	
3	Load Capacity	kg		10000	11500	12000	13500	
4	Load Center	mm		600	600	600	600	
5	Power Type			Diesel	Diesel	Diesel	Diesel	
6	Operator Position			Rider Seated	Rider Seated	Rider Seated	Rider Seated	
7	Tire Type	Front/Rear		Pneumatic	Pneumatic	Pneumatic	Pneumatic	
8	Wheels (x = driven)	Front/Rear		4x/2	4x/2	4x/2	4x/2	
9	Maximum Fork Height (MFH)	mm		3000	3000	3000	3000	
10	Free Lift	mm		0	0	0	0	
13	Fork Size	T x W x L	mm	75x170x1220	80x180x1220	80x180x1220	90x180x1220	
	Fork Spread (Outside)	MAX./MIN.	mm	2140/420	2140/440	2140/440	2210/460	
14	Tilt Range	FWD/BWD	deg	6/12	6/12	6/12	6/12	
15	Length to Fork Face		mm	4200	4270	4270	4590	
16	Overall Width		mm	2315	2385	2385	2415	
17	Mast Lowered Height		mm	2905	2920	2920	3170	
18	Mast Extended Height		mm	4405	4420	4420	4670	
19	Overhead Guard Height		mm	2930	2945	2945	2960	
21	Turning Radius (Outside)		mm	4000	4000	4000	4300	
22	Load Distance (Centerline of front axle to front face of forks)		mm	700	720	720	740	
	Rear Overhang		mm	700	750	750	750	
23	Basic Right Angle Stacking Aisle Width (Add load length and clearance)		mm	4700	4720	4720	5040	
24	Speeds	Travel, Max. (FWD/RVS)	Full Load	km/h [1st]	[16] 28/22	[16] 28/22	[16] 28/22	[16] 28/22
No Load			km/h [1st]	[17] 32/24	[18] 33/25	[18] 33/25	[18] 34/25	
Lifting		Full Load	mm/sec	460	450	420	350	
		No Load	mm/sec	500	460	460	380	
Lowering	Full Load	mm/sec	450	450	450	400		
	No Load	mm/sec	500	500	500	450		
28	Max. Drawbar Pull	Full Load	kN	110	108	108	106	
No Load		kN	41.2	41.6	41.4	46.5		
29	Gradeability at 1.5 km/h *	Full Load	% (tanθ)	35	30	29	26	
No Load		% (tanθ)	54	45	43	38		
30	Max. Gradeability *	Full Load	% (tanθ)	27	25	24	26	
No Load		% (tanθ)						
32	Total Weight		kg	13570	14650	15120	16040	
33	Weight Distribution	Full Load	Front	kg	21500	23890	24610	27090
			Rear	kg	2070	2260	2510	2450
No Load		Front	kg	6860	6970	6950	7750	
		Rear	kg	6710	7680	8170	8290	
35	Tires	Number	Front/Rear	4/2	4/2	4/2	4/2	
36		Size	Front	9.00-20-14PR (I)	10.00-20-14PR (I)	10.00-20-14PR (I)	11.00-20-14PR (I)	
37		Rear	9.00-20-14PR (I)	10.00-20-14PR (I)	10.00-20-14PR (I)	11.00-20-14PR (I)		
38	Wheelbase		mm	2800	2800	2800	3100	
39	Tread	Front	mm	1750	1765	1765	1770	
		Rear	mm	2015	2000	2000	1990	
	Overhead Guard Clearance		mm	1100	1100	1100	1100	
	Counterweight Height		mm	1610	1630	1630	1640	
	Drawbar Pin Center Height		mm	420	440	440	450	
40	Underclearance	Min. <Mast>	mm	205	210	205	210	
41	(Full Load)	Center of Wheelbase	mm	300	320	320	335	
	Grade Clearance	Frame/Counterweight	% (tanθ)	54/55	58/54	58/54	54/58	
42	Brake	Service (Foot)		Air Over Hydraulic	Air Over Hydraulic	Air Over Hydraulic	Air Over Hydraulic	
43		Parking		Hand	Hand	Hand	Hand	
45	Battery	Voltage/Capacity (5HR)	V/AH	24/83	24/83	24/83	24/83	
49	Internal Combustion Engine	Make/Model		HINO J08E-T	HINO J08E-T	HINO J08E-T	HINO J08E-T	
50		Rated Horsepower/r.p.m.	kW	125/2300	125/2300	125/2300	125/2300	
51		Rated Torque/r.p.m.	N-m	550/1600	550/1600	550/1600	550/1600	
52		Number of Cylinder		6	6	6	6	
	Piston Displacement	cc	7684	7684	7684	7684		
	Fuel Tank Capacity	liter	230	230	230	280		
55	Transmission	Type		Powershift	Powershift	Powershift	Powershift	
		Stage	FWD/RVS	2/1	2/1	2/1	2/1	
57	Operating Pressure	For Attachments	Mpa(kg/cm ²)	20.6 (210)	20.6 (210)	20.6 (210)	20.6 (210)	

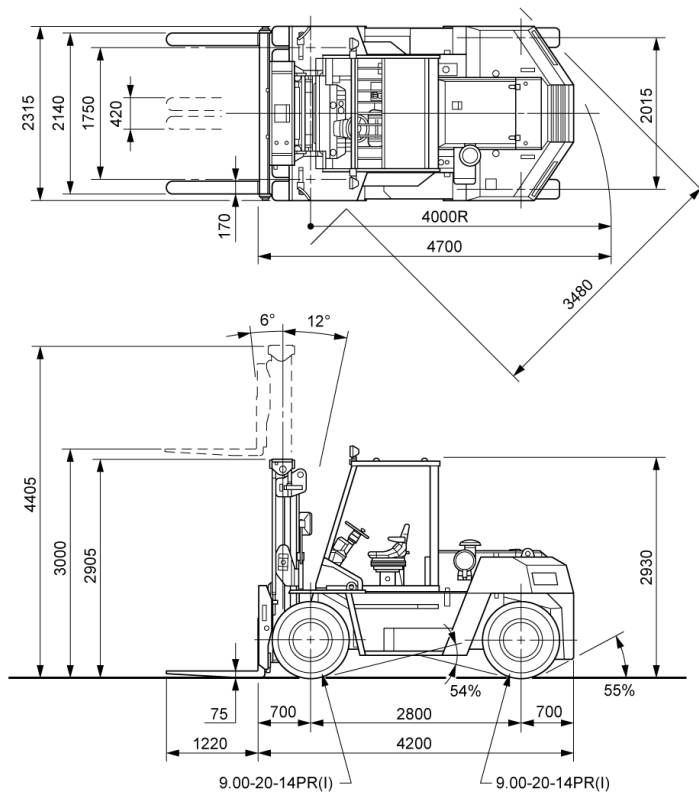
NOTE: * Computed values.

DIMENSIONAL DRAWINGS

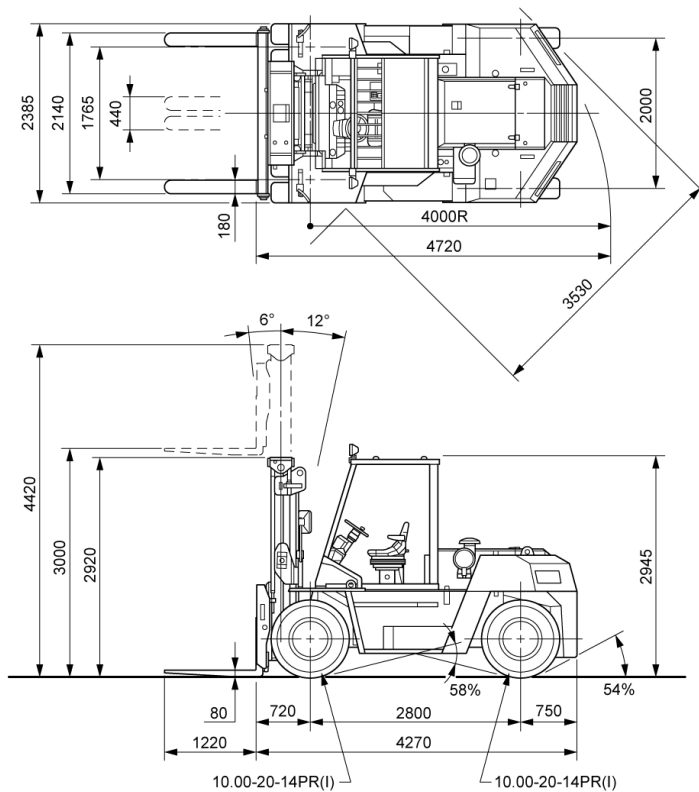
(October 2008)

Unit: mm

4FD100



4FD115

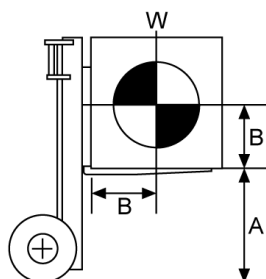


UNDERCLEARANCE

Model	4FD100	4FD115
Mast (Full Load)	205	210
Drive Axle (Full Load)	215	225
Steer Axle (No Load)	260	270
Center of Wheelbase (Full Load)	300	320
Counterweight (No Load)	280	290

RATED CAPACITIES

(October 2008)

4FD100

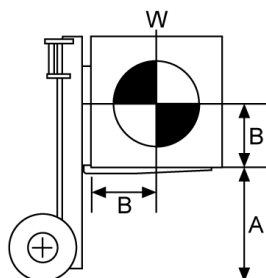
A: Max. Fork Height
B: Load Center
W: Capacity

V, FV MastUnit: kg (**W**)

A (mm)	5000	5500	6000
600	10000	9000	8000
	9200	8300	7400
	8600	7800	6900
800	8100	7300	6500
	7600	6800	6100
	7200	6500	5700
1000	6800	6100	5400
	6100	5400	4800

FSV MastUnit: kg (**W**)

A (mm)	4000	5000	6000
600	9000	8200	7000
	8300	7600	6500
	7800	7100	6000
800	7300	6700	5700
	6900	6300	5300
	6500	5900	5000
1000	6200	5600	4800
	5600	4800	4200

4FD115

A: Max. Fork Height
B: Load Center
C: Capacity

V MastUnit: kg (**W**)

A (mm)	5000	5500	6000
600	11500	10000	9000
	10600	9200	8300
	9900	8600	7800
800	9300	8100	7300
	8800	7600	6900
	8300	7200	6500
1000	7900	6800	6100
	6800	6100	5400

FSV MastUnit: kg (**W**)

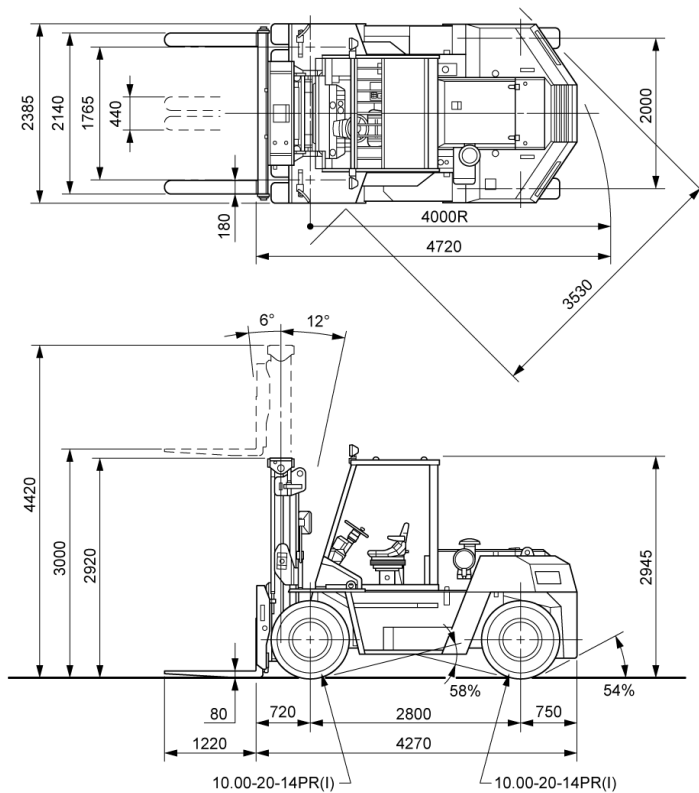
A (mm)	4000	5000	6000
600	10500	9700	8500
	9700	9000	7900
	9100	8400	7400
800	8600	7900	6900
	8100	7500	6500
	7600	7000	6200
1000	7200	6700	5900
	6700	5900	5200

DIMENSIONAL DRAWINGS

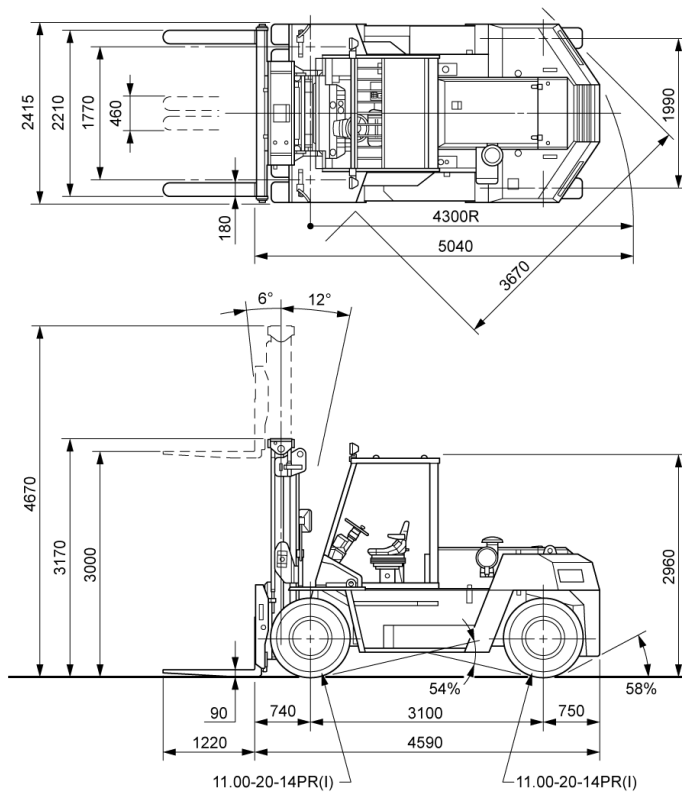
(October 2008)

Unit: mm

4FD120



4FD135



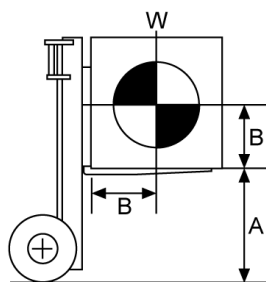
UNDERCLEARANCE

Model	4FD120	4FD135
Mast (Full Load)	205	210
Drive Axle (Full Load)	220	240
Steer Axle (No Load)	270	290
Center of Wheelbase (Full Load)	320	335
Counterweight (No Load)	285	290

RATED CAPACITIES

(October 2008)

4FD120



A: Max. Fork Height
B: Load Center
W: Capacity

V Mast

Unit: kg (**W**)

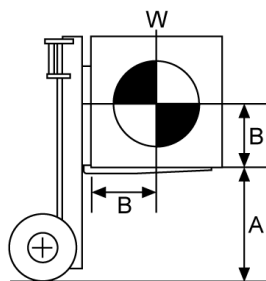
A (mm)	5000	5500	6000
600	12000	10500	9500
700	11100	9700	8800
800	10400	9100	8200
B (mm)	900	9700	8500
	1000	9200	8000
	1100	8700	7600
	1200	8200	7200

FSV Mast

Unit: kg (**W**)

A (mm)	4000	5000	6000
600	11000	10200	9000
700	10200	9500	8300
800	9500	8800	7800
B (mm)	900	9000	8300
	1000	8500	7800
	1100	8000	7400
	1200	7600	7000

4FD135



A: Max. Fork Height
B: Load Center
C: Capacity

V Mast

Unit: kg (**W**)

A (mm)	5000	5500	6000
600	13500	12000	11000
700	12500	11100	10200
800	11700	10400	9500
B (mm)	900	11000	9800
	1000	10300	9200
	1100	9800	8700
	1200	9300	8200

FSV Mast

Unit: kg (**W**)

A (mm)	4000	5000	6000
600	12500	11700	10000
700	11600	10900	9300
800	10900	10200	8700
B (mm)	900	10200	9600
	1000	9600	9000
	1100	9100	8500
	1200	8700	8100

SPECIAL MAST

(June 2004)

Wide Visible Full-Free Lift Two-Stage Mast (FV), Wide Visible Full-Free Lift Three-Stage Mast (FSV)

Model				4FD100		4FD115	4FD120	4FD135
Type of Mast				FV	FSV	FSV		
PERFORMANCE								
Speeds	Lifting	Full Load	mm/sec (fpm)	450	450	420	420	350
		No Load	mm/sec (fpm)	520	520	500	500	420
	Lowering	Full Load	mm/sec (fpm)	400	400	400	400	350
		No Load	mm/sec (fpm)	450	450	450	450	400
DIMENSIONS								
Overall Width			mm	2315	2315	2375	2375	2415
Load Distance (Centerline of front axle to front face of forks)			mm	700	740	765	765	785
Tread, Front			mm	1750	1750	1765	1765	1770

MAST SPECIFICATIONS & RATED CAPACITIES

(June 2004)

Wide Visible Mast (V), Wide Visible Full-Free Lift Two-Stage Mast (FV), Wide Visible Full-Free Lift Three Stage Mast (FSV)

4FD100

Mast Type	Maximum Fork Height	Overall Height		Free Lift	Dual Tire		
		Lowered	Extended		Tilt Range		Load Capacity at 600 mm
					FWD	BWD	
mm	mm	mm	mm	deg	deg	kg	
V	3000	2905	4405	0	6	12	10000
	3300	3055	4705	0	6	12	10000
	3500	3155	4905	0	6	12	10000
	3700	3255	5105	0	6	12	10000
	4000	3405	5405	0	6	12	10000
	4500	3655	5905	0	6	12	10000
	5000	4105	6605	0	6	12	10000
	5500	4355	7105	0	6	12	9000
FV	6000	4605	7605	0	6	12	8000
	3000	2905	4405	1575	6	12	10000
	3500	3155	4905	1825	6	12	10000
	4000	3405	5405	2075	6	12	10000
	4500	3655	5905	2325	6	12	10000
FSV	5000	4105	6605	2575	6	12	10000
	4000	2910	5410	1575	6	6	9000
	5000	3260	6460	1875	6	6	8200
	6000	3660	7460	2275	6	6	7000

4FD115

Mast Type	Maximum Fork Height	Overall Height		Free Lift	Dual Tire		
		Lowered	Extended		Tilt Range		Load Capacity at 600 mm
					FWD	BWD	
mm	mm	mm	mm	deg	deg	kg	
V	3000	2920	4420	0	6	12	11500
	3300	3070	4720	0	6	12	11500
	3500	3170	4920	0	6	12	11500
	3700	3270	5120	0	6	12	11500
	4000	3420	5420	0	6	12	11500
	4500	3670	5920	0	6	12	11500
	5000	4120	6620	0	6	12	11500
	5500	4370	7120	0	6	12	10000
FSV	6000	4620	7620	0	6	12	9000
	4000	3185	5685	1580	6	6	10500
	5000	3535	6735	1880	6	6	9700
	6000	3935	7735	2280	6	6	8500

4FD120

Mast Type	Maximum Fork Height	Overall Height		Free Lift	Dual Tire		
		Lowered	Extended		Tilt Range		Load Capacity at 600 mm
					FWD	BWD	
mm	mm	mm	mm	deg	deg	kg	
V	3000	2920	4420	0	6	12	12000
	3300	3070	4720	0	6	12	12000
	3500	3170	4920	0	6	12	12000
	3700	3270	5120	0	6	12	12000
	4000	3420	5420	0	6	12	12000
	4500	3670	5920	0	6	12	12000
	5000	4120	6620	0	6	12	12000
	5500	4370	7120	0	6	12	10500
FSV	6000	4370	7620	0	6	12	9500
	4000	3185	5685	1580	6	6	11000
	5000	3535	6735	1880	6	6	10200
	6000	3935	7735	2280	6	6	9000

4FD135

Mast Type	Maximum Fork Height	Overall Height		Free Lift	Dual Tire		
		Lowered	Extended		Tilt Range		Load Capacity at 600 mm
					FWD	BWD	
mm	mm	mm	mm	deg	deg	kg	
V	3000	3170	4670	0	6	12	13500
	3300	3320	4970	0	6	12	13500
	3500	3420	5170	0	6	12	13500
	3700	3520	5370	0	6	12	13500
	4000	3670	5670	0	6	12	13500
	4500	3920	6170	0	6	12	13500
	5000	4370	6870	0	6	12	13500
	5500	4620	7370	0	6	12	12000
FSV	6000	4870	7870	0	6	12	11000
	4000	3200	5700	1590	6	6	12500
	5000	3550	6750	1890	6	6	11700
	6000	3950	7750	2290	6	6	10000

4FDK150

4FDK160

MAIN VEHICLE SPECIFICATIONS

(June 2017)

1	Manufacturer			TOYOTA	TOYOTA	
2	Model			4FDK150	4FDK160	
3	Load Capacity	kg		15000	16000	
4	Load Center	mm		600	600	
5	Power Type			Diesel	Diesel	
6	Operator Position			Rider Seated	Rider Seated	
7	Tire Type	Front/Rear		Pneumatic	Pneumatic	
8	Wheels (x = driven)	Front/Rear		4x/2	4x/2	
9	Maximum Fork Height (MFH)	mm		3000	3000	
10	Free Lift	mm		0	0	
13	Fork Size	T x W x L	mm	90x180x1220	90x200x1220	
	Fork Spread (Outside)	MAX./MIN.	mm	2210/460	2210/500	
14	Tilt Range	FWD/BWD	deg	6/12	6/12	
15	Length to Fork Face		mm	4620	4700	
16	Overall Width		mm	2415	2485	
17	Mast Lowered Height		mm	3150	3170	
18	Mast Extended Height		mm	4650	4670	
19	Overhead Guard Height		mm	2960	2980	
21	Turning Radius (Outside)		mm	4300	4450	
22	Load Distance (Centerline of front axle to front face of forks)		mm	750	750	
	Rear Overhang		mm	770	850	
23	Basic Right Angle Stacking Aisle Width (Add load length and clearance)		mm	5050	5200	
24	Speeds	Travel, Max. (FWD/RVS)	Full Load	km/h [1st]	[16] 28/22	[17] 29/23
			No Load	km/h [1st]	[18] 34/25	[19] 34/26
		Lifting	Full Load	mm/sec	340	330
			No Load	mm/sec	350	350
26	Lowering	Full Load	mm/sec	400	400	
		No Load	mm/sec	450	450	
28	Max. Drawbar Pull	Full Load	kN	106	100	
		No Load	kN	51.8	51.2	
29	Gradeability at 1.5 km/h *	Full Load	% (tanθ)	27	26	
		No Load	% (tanθ)	33	30	
30	Max. Gradeability *	Full Load	% (tanθ)	25	24	
		No Load	% (tanθ)	25	24	
32	Total Weight		kg	18070	18630	
33	Weight Distribution	Full Load	Front	kg	30160	31550
			Rear	kg	2910	3080
34		No Load	Front	kg	8630	8580
			Rear	kg	9440	10050
35	Tires	Number	Front/Rear	4/2	4/2	
36		Size	Front		11.00-20-16PR (I)	12.00-20-16PR (I)
37			Rear		11.00-20-16PR (I)	12.00-20-16PR (I)
38	Wheelbase		mm	3100	3100	
39	Tread	Front	mm	1770	1780	
		Rear	mm	1990	1975	
	Overhead Guard Clearance		mm	1100	1100	
	Counterweight Height		mm	1640	1660	
	Drawbar Pin Center Height		mm	450	470	
40	Underclearance	Min. <Mast>	mm	205	235	
41	(Full Load)	Center of Wheelbase	mm	335	360	
	Grade Clearance	Frame/Counterweight	% (tanθ)	54/55	59/53	
42	Brake	Service (Foot)		Air Over Hydraulic	Air Over Hydraulic	
43		Parking		Hand	Hand	
45	Battery	Voltage/Capacity (5HR)	V/AH	24/83	24/83	
49	Internal Combustion Engine	Make/Model		HINO J08E-T	HINO J08E-T	
50		Rated Power/r.p.m.	kW	125/2300	125/2300	
51		Rated Torque/r.p.m.	N-m	550/1600	550/1600	
52		Number of Cylinder		6	6	
	Piston Displacement	cc	7684	7684		
	Fuel Tank Capacity	liter	280	280		
55	Transmission	Type		Powershift	Powershift	
		Stage	FWD/RVS		2/1	2/1
57	Operating Pressure	For Attachments	Mpa (kg/cm ²)	20.6 (210)	20.6 (210)	

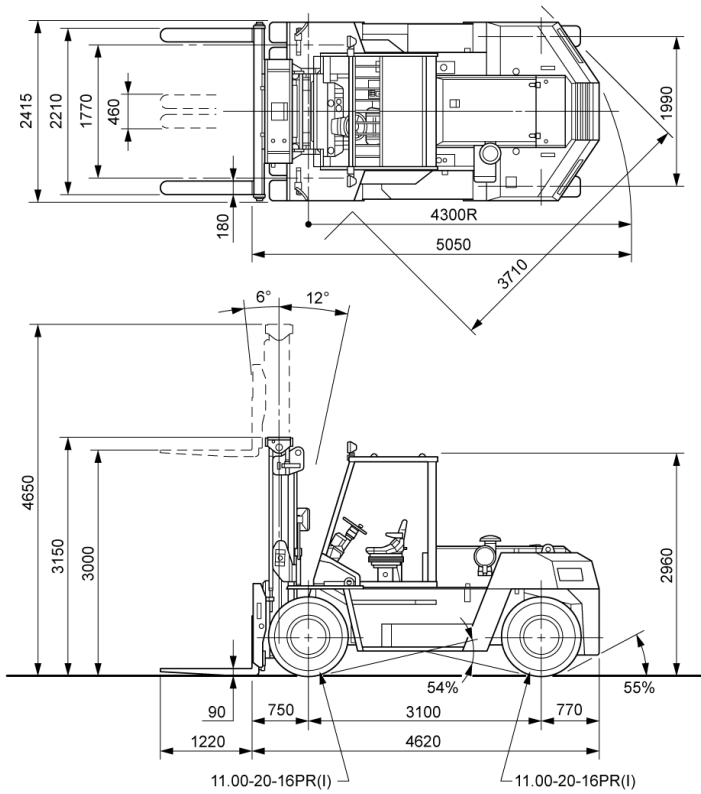
NOTE: * Computed values.

DIMENSIONAL DRAWINGS

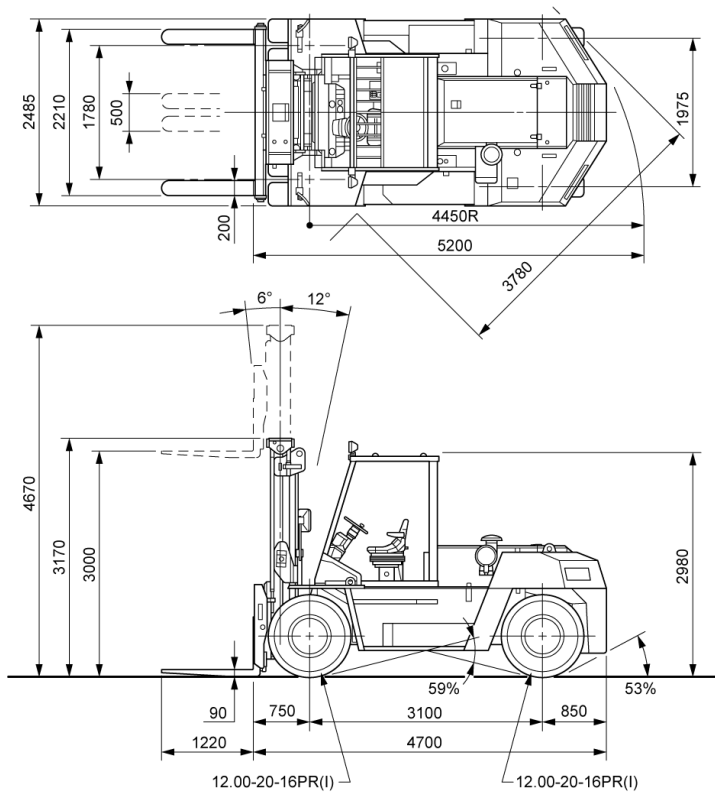
(October 2008)

Unit: mm

4FDK150



4FDK160

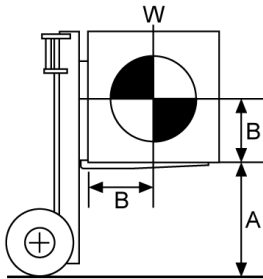


UNDERCLEARANCE

Model	4FDK150	4FDK160
Mast (Full Load)	205	235
Drive Axle (Full Load)	235	265
Steer Axle (No Load)	290	315
Center of Wheelbase (Full Load)	335	360
Counterweight (No Load)	290	335

RATED CAPACITIES

(October 2008)

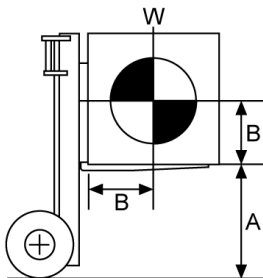
4FDK150

A: Max. Fork Height
B: Load Center
W: Capacity

V Mast

Unit: kg (W)

A (mm)	5000	5500	6000
600	15000	13500	12000
700	13900	12500	11100
800	13000	11700	10400
900	12200	11000	9800
1000	11500	10400	9200
1100	10900	9800	8700
1200	10300	9300	8300

4FDK160

A: Max. Fork Height
B: Load Center
W: Capacity

V Mast

Unit: kg (W)

A (mm)	5000	5500	6000
600	16000	11000	13000
700	14800	13500	12100
800	13900	12600	11300
900	13000	11800	10600
1000	12300	11100	10000
1100	11600	10500	9400
1200	11000	10000	9000

MAST SPECIFICATIONS & RATED CAPACITIES

(June 2004)

Wide Visible Mast (V)

4FDK150

Mast Type	Maximum Fork Height	Overall Height		Free Lift	Dual Tire		
		Lowered	Extended		Tilt Range		Load Capacity at 600 mm
					FWD	BWD	
mm	mm	mm	mm	deg	deg	kg	
V	3000	3150	4650	0	6	12	15000
	3300	3300	4950	0	6	12	15000
	3500	3400	5150	0	6	12	15000
	3700	3500	5350	0	6	12	15000
	4000	3650	5650	0	6	12	15000
	4500	3900	6150	0	6	12	15000
	5000	4350	6850	0	6	12	15000
	5500	4600	7350	0	6	12	13500
	6000	4850	7850	0	6	12	12000

4FD115

Mast Type	Maximum Fork Height	Overall Height		Free Lift	Dual Tire		
		Lowered	Extended		Tilt Range		Load Capacity at 600 mm
					FWD	BWD	
mm	mm	mm	mm	deg	deg	kg	
V	3000	3170	4670	0	6	12	16000
	3300	3320	4970	0	6	12	16000
	3500	3420	5170	0	6	12	16000
	3700	3520	5370	0	6	12	16000
	4000	3670	5670	0	6	12	16000
	4500	3920	6170	0	6	12	16000
	5000	4370	6870	0	6	12	16000
	5500	4620	7370	0	6	12	14500
	6000	4870	7870	0	6	12	13000

4FD100.115.120.135

4FDK150.160

STANDARD EQUIPMENT

(June 2013)

4FD100.115.120.135, 4FDK150.160

● Wide Visible Mast (V) [MFH: 3000 mm] ● Operator presence sensing system (OPS) ● Fully oil charged lift cylinder ● Manual fork shifter (A31) ● Hydraulic pilot type short lever ● Engine key stop device ● Quick-glow system ● Hour meter ● Fuel meter ● Fuel warning light ● Engine coolant level warning light ● Engine oil pressure warning light ● Clogged air cleaner warning light ● Charge warning light ● Torque converter oil temperature warning light ● Engine warning light ● Pre-heat indicator light ● Sediment warning light ● Brake warning light ● Active steering synchronizer warning light ● Engine water temperature indicator ● Speedometer ● Brake air pressure indicator ● Left hand shift lever ● Air horn ● Neutral safety switch ● Tilt steering column ● Full hydraulic power steering with active steering synchronizer ● Electric parking brake ● Parking brake off alarm ● Two-stator torque converter ● Wet disc brake ● Brake air dryer ● ORS seat w/ seat switch ● Fuel tank cap with key ● Overhead guard ● Rear-view mirror (Right and Left sides) ● Room mirror ● Headlights ● Key off headlight and other electric components ● Turn signal lights (4 lights) ● Rear combination lights ● Back-up lights ● Rear working lights (2 lights) ● Back-up buzzer ● All wheel interchangeable tires

OPTIONS AVAILABILITY CHART

(March 2022)

○: Standard / ●: Available

Item	Code	Model					
		4FD100	4FD115	4FD120	4FD135	4FDK150	4FDK160
LOAD HANDLING							
Full-free Lift 2-stage Mast (FV)	1)	M00F	●				
Full-free Lift 3-stage Mast (FSV)	1)	M00D	●	●	●	●	
Long Forks	☆	M20A	●	●	●	●	●
Mast Tilt Indicator		N14A	●	●	●	●	●
ENGINE							
Cyclone Air Cleaner (Dual Elements)		C15B	●	●	●	●	●
Pre-cleaner		C16A	●	●	●	●	●
Upswept Exhaust		C10A	●	●	●	●	●
Catalytic Muffler		C11A	●	●	●	●	●
Engine Oil Quick Drain		D33A	●	●	●	●	●
High-capacity Battery	★	D20A	●	●	●	●	●
Long Life Coolant 50%	★	C19B	●	●	●	●	●
LIGHT AND INDICATORS							
Front Working Light	★	J27A	●	●	●	●	●
Front Working Light on the Diff. Housing	2)	J32B	●	●	●	●	●
Reading Lamp	★	J37A	●	●	●	●	●
LED Yellow Beacon on the Counterweight	★	J18T	●	●	●	●	●
Strobe Light On the Overhead Guard	★	J19I	●	●	●	●	●
Strobe Light on the Counterweight	★	J19J	●	●	●	●	●
License-plate Light and Bracket	★	J08A	●	●	●	●	●
Extra High-pitch Back-up Buzzer	★	K21F	●	●	●	●	●
Back-up Buzzer w/ On-Off Switch	★	K21K	●	●	●	●	●
Loudspeaker	★	K28A	●	●	●	●	●
Automatic Mode Change System	★	E10H	●	●	●	●	●
Manual Mode Change Switch	★	E10J	●	●	●	●	●
BODY							
Rear-under Mirror		J13A	●	●	●	●	●
Multifunction Deluxe Seat w/ Seat Belt	3)	G40T	●	●	●	●	●
Suspension Seat w/ Damper	★	G40E	●	●	●	●	●
Swivel Seat	★	G41F	●	●	●	●	●
Overhead Guard Sheet	★	H01B	●	●	●	●	●
Steel Cabin	20)	H00G	●	●	●	●	●
Steel Cabin (High Mount Type)	4)20)	H00S	●	●	●	●	●
Heater	★	H11A	●	●	●	●	●
Air Conditioner	★	H10B	●	●	●	●	●
Window Visor RH & LH	★	H29B	●	●	●	●	●
Front Windshield w/ Wiper and Washer	20)	H02D	●	●	●	●	●
Right Hand Shift Lever		E11B	●	●	●	●	●
Backward 2-mode Transmission	5)	E12B	●	●	●	●	●
Front Mud Guard		G10B	●	●	●	●	●
Rear Mud Guard		G11A	●	●	●	●	●
Guard on Counterweight	17)	G39A	●	●	●	●	●
Name Plate	6)	S31*	●	●	●	●	●
OPS Decal		S35A	●	●	●	●	●

Item	Code	Model					
		4FD100	4FD115	4FD120	4FD135	4FDK150	4FDK160
Body & Forks in One Color (Mast, B/R & ATT in STD Color)	R30A	●	●	●	●	●	●
Body & Forks in Two Colors (Mast, B/R & ATT in STD Color)	R30B	●	●	●	●	●	●
Body & Forks in Three Colors (Mast, B/R & ATT in STD Color)	R30C	●	●	●	●	●	●
Body & Forks in Four Colors (Mast, B/R & ATT in STD Color)	R30D	●	●	●	●	●	●
Mast, B/R & ATT in Specified Color	R40A	●	●	●	●	●	●
Certificated Label	S20C	●	●	●	●	●	●
Unit Indication, mm/kg	A95B	●	●	●	●	●	●
Urethane Resin Paint	R05B	●	●	●	●	●	●
WHEELS AND TIRES							
Pneumatic Tire	J-Lug Tire ☆	●					
Pneumatic-Shaped Cushion Tire	J-Lug Tire ☆	●					
Spare Tire	F30A	●	●	●	●	●	●
Tire Brand BRIDGESTONE	F81B/ F82B ☆	●			○	○	○
Front Outer Tire Separate Packing	T48A	●					
SPECIAL MODEL							
Russian Specification	7) ★	A20C	●	●	●	●	●
Russian Port Specification	8) ★	A21C	●			●	
Australian Spec. (AS2359-2015 complied)	9)	A20T	●	●	●	●	●
Russian Spec.	18) ★	A20C	●	●	●	●	●
Russian Port Spec.	19) ★	A21C	●			●	
PACKING							
Sticker Packing	16)	S23A	●	●	●	●	●
Toyota Logo-mark Packing		S24A	●	●	●	●	●
Parts Catalog (Specified User) 1Set		S52G	●	●	●	●	●
Parts Catalog (Specified User) 2Set		S52H	●	●	●	●	●
Parts Catalog (Non-standard item) 1Set		S53A	●	●	●	●	●
Parts Catalog (Non-standard item) 2 Set		S53B	●	●	●	●	●
Operator's Manual 1 Set		T45A	●	●	●	●	●
Operator's Manual 2 Set		T45B	●	●	●	●	●
Operator's Manual (Arabic) 2 Set		T45H	●	●	●	●	●
Operator's Manual (Special) 1 Set		T45M	●	●	●	●	●
Operator's Manual (Special) 2 Set		T45O	●	●	●	●	●
Repair Manual 1 Set		T46A	●	●	●	●	●
Repair Manual 2 Set		T46B	●	●	●	●	●
Export Packing (Standard)		T00B	●	●	●	●	●
Export Packing (Wooden Box)		T01A	●	●	●	●	●
Mast Packing (Wood Case)	10)	T11B	●	●	●	●	●
Mast Packing (Pallet)	11)	T11E	●	●	●	●	●
Attachment Packing (On truck)		T18A	●	●	●	●	●
Spare Tire Packing (Pallet)	12)	T38B	●	●	●	●	●
w/o Touch-up Paint		T44N	●	●	●	●	●
w/o Window Washer Fluid	13)	T49N	●	●	●	●	●
Original Forks Packing (Separate)	14)	T90A	●	●	●	●	●
Additional Forks Packing (Separate)	15)	T91A	●	●	●	●	●

NOTE:

- Lift cylinder is the fully oil charged type.
- When selecting the "Front Working Light on the Diff. Housing", the "Front Working Light" becomes a set option.
- When selecting the "Multifunction Deluxe Seat w/ Seat Belt", the "Swivel Seat" becomes a set option.
- Not available with FV and FSV masts.
- Must specify "Automatic Mode Change System". Cannot be combined with "Manual Mode Change Switch".
- Available for English, French, Russian, and Taiwanese.
- Including "Long Life Coolant 50%", "High Capacity Battery", "Heater with Defroster" and "Name Plate (Russian)".
- Including "Russian Specification", "Long Life Coolant 50%", "High Capacity Battery", "Heater with Defroster" and "Name Plate (Russian)".
- Must specify S31A, A95B and G39A. Must specify G40E or G40T.
- Must enter flag "M".
- Must enter flag "M".
- Must enter flag "T".
- Must specify either A20C or H00G or H00S or H02D.
The countries which are applied methanol control must be specified.
- Must enter flag "F".
- Must enter flag "F".
Must enter flag "X" when selecting T90A.
- Includes Tonnage sticker, Toyota logo mark and Safety walk.
- Must specify A20T.
- Must specify C19B, D20A, H11A, S31F and T49N.
- Must specify A20C, C19B, D20A, H11A and S31F.
- Must specify T49N for the countries to prohibit use of Methanol.
Please check your country regulation.
- ★ Please see the "Matching Options".
- ☆ Please see the chart below for the item.

MAST INTERCHANGEABILITY

(December 2005)

Model	Mast Type		
	Wide Visible Mast (V)	Wide Visible Full-Free Lift Two-Stage Mast (FV)	Wide Visible Full-Free Lift Three-Stage Mast (FSV)
4FD100	●	●	●
4FD115	●		●
4FD120	●		●
4FD135	●		●

Model	Mast Type		
	Wide Visible Mast (V)	Wide Visible Full-Free Lift Two-Stage Mast (FV)	Wide Visible Full-Free Lift Three-Stage Mast (FSV)
4FDK150	●		
4FDK160	●		

NOTE: ● Mast may be interchanged with models within the same group.

MAST WEIGHT

(December 2005)

Mast Type	Maximum Fork Height	Model					
		4FD100	4FD115	4FD120	4FD135	4FDK150	4FDK160
	mm	kg	kg	kg	kg	kg	kg
V	3000	2560	2650	2650	2920	3730	3730
	3300	2620	2720	2720	3000	3830	3830
	3500	2660	2770	2770	3060	3900	3900
	3700	2700	2820	2820	3100	3940	3940
	4000	2760	2890	2890	3200	4130	4130
	4500	2930	3070	3070	3360	4280	4280
	5000	3050	3240	3240	3570	4540	4540
	5500	3160	3380	3380	3720	4690	4690
	6000	3230	3500	3500	3850	4830	4830
FV	3000	2610	—	—	—	—	—
	3500	2730	—	—	—	—	—
	4000	2850	—	—	—	—	—
	4500	2990	—	—	—	—	—
	5000	3180	—	—	—	—	—
FSV	4000	3080	3550	3550	3810	—	—
	5000	3310	3800	3800	4080	—	—
	6000	3710	4220	4220	4520	—	—

CAUTION:

The figures are without load backrest and forks.

The figures presented in this chart have been rounded off to the nearest number.

Use caution when applying them to specific products.

LONG FORKS

(December 2005)

Unit: mm

Model	Length	Width	Thickness	Long Forks
4FD100	1220	170	75	○
	1370			●
	1520			●
	1670			●
	1820			●
	2440			●
4FD115 4FD120	1220	180	80	○
	1370			●
	1520			●
	1670			●
	1820			●
	2440			●
4FD135 4FDK150	1220	180	90	○
	1370			●
	1520			●
	1670			●
	1820			●
	2440			●
4FDK160	1220	200	90	○
	1370			●
	1520			●
	1670			●
	1820			●
	2440			●

INDEX: ○ Standard / ● Available

BACKWARD 2-MODE TRANSMISSION

(June 2013)

		4FD100				4FD115				4FD120				4FD135				4FDK150				4FDK160			
		STD		OPT		STD		OPT		STD		OPT		STD		OPT		STD		OPT		STD		OPT	
		FWD	RVS	FWD	RVS	FWD	RVS	FWD	RVS	FWD	RVS	FWD	RVS	FWD	RVS	FWD	RVS	FWD	RVS	FWD	RVS	FWD	RVS	FWD	RVS
Travel Speed (No Load)	1st km/h	17	24	17	16	18	25	18	17	18	25	18	17	18	25	18	17	18	25	18	17	19	26	18	17
	2nd km/h	32	—	32	30	33	—	33	31	33	—	33	31	34	—	34	32	34	—	34	32	34	—	34	32
Max. Drawbar Pull (Full Load)	kN	110	78	110	118	108	74	108	113	108	74	108	113	106	72	106	111	106	72	106	110	100	68	100	105
Gradeability at 1.5 km/h	%	35	27	36	37	30	23	31	32	29	23	30	31	26	20	27	28	27	18	23	24	26	16	21	22
Max. Gradeability	%	54	36	55	59	45	30	45	49	43	29	43	47	38	26	39	42	33	23	34	36	30	21	30	33

TIRE AVAILABILITY

(June 2013)

Model	Tire Arrangement		Pneumatic Tire						Pneumatic-Shaped Cushion Tire					
			Tire Size		Rim Size (Type)		BRIDGESTONE		DUNLOP	Tire Size		Rim Size (Type)		AICHI
							J-Lug [Code]	U-Lug [Code]	U-Lug					J-Lug
4FD100	Front	Dual	9.00-20-14PR (I)	20x7.00T (Side-Ring)	●	●	○	9.00-20/7.00HR	20x7.00T (Side-Ring)	●				
	Rear				[F01J]	[F81B]				[F01B]				
4FD115.120	Front	Dual	10.00-20-14PR (I)	20x7.50V (Side-Ring)	●	●	○			●				
	Rear				[F41J]	[F82B]				[F41A]				
4FD135	Front	Dual	11.00-20-14PR (I)	20x8.00V (Side-Ring)		○								
	Rear					○								
4FDK150	Front	Dual	11.00-20-16PR (I)	20x8.00V (Side-Ring)		○								
	Rear					○								
4FDK160	Front	Dual	12.00-20-16PR (I)	20x8.50V (Side-Ring)		○								
	Rear					○								

INDEX: ○ Standard / ● Available

MATCHING OPTIONS

(March 2022)

(Column figures refer to matching with to the items listed at left)

Item	Code	1	2	3	4	5	6	7	8	9	10	11	12	13	14	15	16	17	18	19	20	21	22	23	24	25	26	27	28
Russian Specification	A20C	1																											
Russian Port Specification	A21C	2	2																										
Long Life Coolant 50%	C19B	3	1	2																									
High-capacity Battery	D20A	4	1	2																									
Automatic Mode Change System	E10H	5																											
Manual Mode Change Switch	E10J	6					X																						
Backward 2-mode Transmission	E12B	7					X																						
Suspension Seat w/ Damper	G40E	8																											
Multifunction Deluxe Seat w/ Seat Belt	G40T	9							X																				
Swivel Seat	G41F	10							X	3																			
Steel Cabin	H00G	11																											
Steel Cabin (High Mount Type)	H00S	12										X																	
Overhead Guard Sheet	H01B	13										X	X																
Front Windshield w/ Wiper and Washer	H02D	14										X	X	X															
Air Conditioner	H10B	15												X	X														
Heater	H11A	16	1	2													X												
Guard on Counterweight	G39A	17																											
Window Visor RH & LH	H29B	18												X	X														
License-plate Light and Bracket	J08A	19																X											
LED Yellow Beacon on the Counterweight	J18T	20																											
Strobe Light On the Overhead Guard	J19I	21																			X								
Strobe Light on the Counterweight	J19J	22																			X	X							
Front Working Light	J27A	23																											
Front Working Light on the Diff. Housing	J32B	24																						4					
Reading Lamp	J37A	25												X	X														
Extra High-pitch Back-up Buzzer	K21F	26																											
Back-up Buzzer with On-Off Switch	K21K	27																									X		
Loudspeaker	K28A	28												X	X														

INDEX: X Not available.

- Including "Long Life Coolant 50%", "High-capacity Battery", "Heater" and "Name Plate (Russian)".
- Including "Russian Specification", "Long Life Coolant 50%", "High-capacity Battery", "Heater", and "Name Plate (Russian)".
- When selecting the "Multifunction Deluxe Seat w/ Seat Belt", the "Swivel Seat" becomes a set option.
- When selecting the "Front Working Light on the Diff. Housing", the "Front Working Light" becomes a set option.

NOTE: For other matching please consult us.